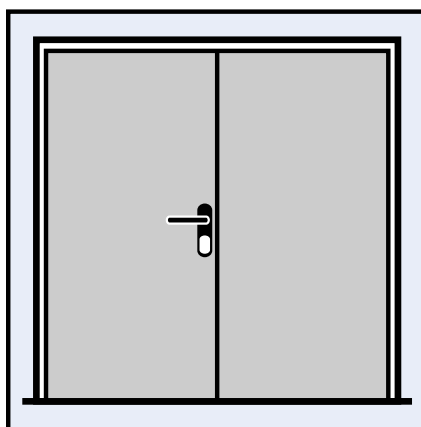


# SIDE HINGED GARAGE DOOR






## FITTING, OPERATING AND MAINTENANCE INSTRUCTIONS





# Installation and Maintenance Instructions

## Symbol explanation

	<b>WARNING!</b> Risk of personal injuries or death!
	<b>CAUTION!</b> Indicates a danger that can lead to damage or destruction of the product.
	<b>INSPECT!</b> Check the results of current work step before proceeding to next step.

## Read and follow these instructions carefully!

They provide you with important information on safe fitting and operation, as well as proper care and maintenance of your garage door.

Keep these instructions, user manual and the warranty sheet.

RYTERNA is not liable for damage resulting from non-compliance with these instructions and the safety regulations.

Only a qualified person can fit start-up and maintain the door following these instructions.

Dispose of components and packaging

The garage door is only intended for private use and is suitable for use outside;

The garage door is compatible with electric operators approved by Ryterna.



### Personal safety

Installation should only be carried out by a person qualified for the task.

Wear safety glasses and protective gloves.

For reasons of safety, only carry out the installation steps in the sequence specified in these instructions.

Use power tools for their intended purpose and according to manuals.

Secure the door and it's parts from falling.



### Damage of the product

To protect door surface from scratches and dents use sawhorses with soft top surface.

Do not lay door panels on ground or floor.

Secure door and it's parts from falling objects during fitting.

Fit all delivered parts and fastenings according to the instructions.

Only mount the door onto structurally sound and static surfaces which are capable of supporting the door weight.

Use only quality tools.

Protect the door and it's parts against drilling dust during fitting.

## DO NOT FOLLOW THE BRICK LINE!

Use spirit-level to position door in right position. Horizontal parts must be level and vertical parts must be plumb!

DO NOT remove, replace or modify the original garage door parts.



### **Initial inspection**

Check the garage opening measures and squareness to correspond with the door size.

The floor is at its finished height and is level.

The walls and ceiling suitable for door fitting.

Visually inspect the general condition of the door, all components, and safety devices for completeness, proper condition, and effectiveness.

Please report before fitting if door parts are damaged during transportation, have scratches or dents.

RYTERNA is not liable for door defects reported after fitting.



### **Maintenance**

Have a specialist perform inspection and maintenance work on the door at least once a year in accordance with these instructions.

Functional parts, particularly safety components, may only be exchanged by a specialist.

To ensure a high level of quality, safety, reliability, as well as a long service life, only use original parts intended for this particular garage door.

If door is malfunctioning – contact expert for assistance.

Do not remove the data plate. It must always be easy to read.

Lubricate all door hinges at least once a year with a standard penetrating or lube oil.

Clean the door surfaces with clear water and a soft sponge or with conventional paint cleaners.

Unsuitable cleaning products can cause stress cracks and damage the painted surface.

Do not use any abrasive cleaners, solvents, sharp tools or alcohol or acetone based cleaners.

Clean the synthetic panes with clear water and a soft sponge or cloth.

Protect the door from caustic, aggressive substances, e.g. nitrous reactions from stones or mortar, acids, alkali solutions, de-icing salt, aggressive paints or sealants.

Always cover the door before plastering or painting, since spots of mortar, cement, plaster or paint can damage the surface.

Ensure that there is sufficient water run-off and ventilation in the garage.

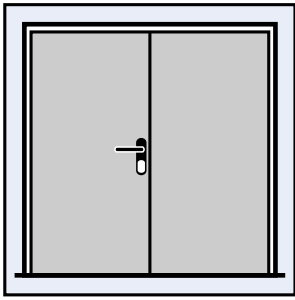


When operating the door, always make sure that there are no objects or persons, especially children, within the door's range of movement!

Be careful while using the door during heavy winds.

### **Dismantling**

Have the door dismantled and disposed of by a specialist.



13,17



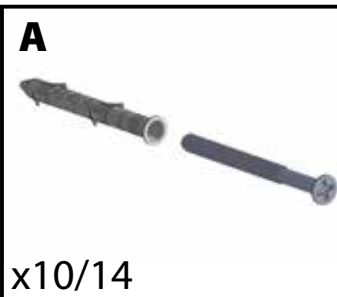
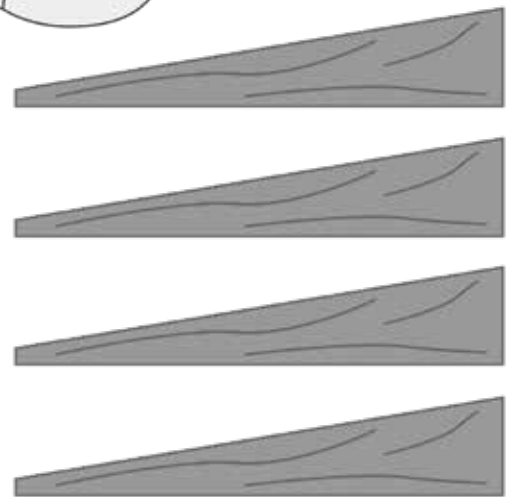
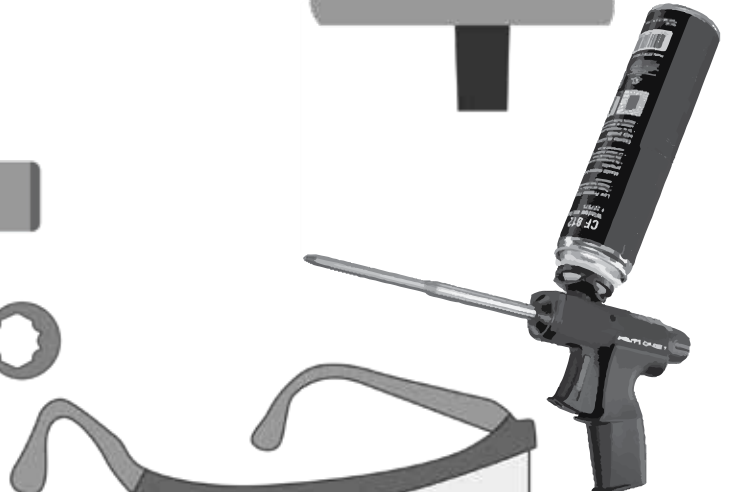
∅ 4mm



∅ 8mm



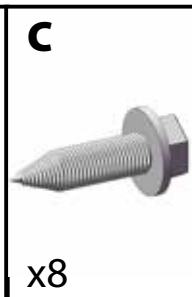
2, 3, 5, 12 mm



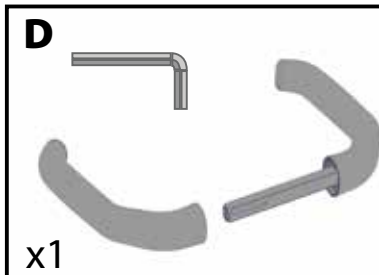
x10/14



x2



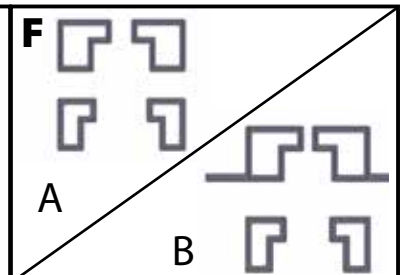
x8



x1



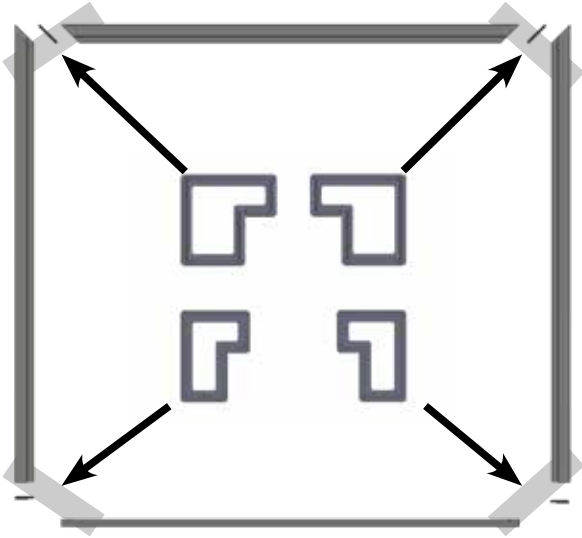
x6



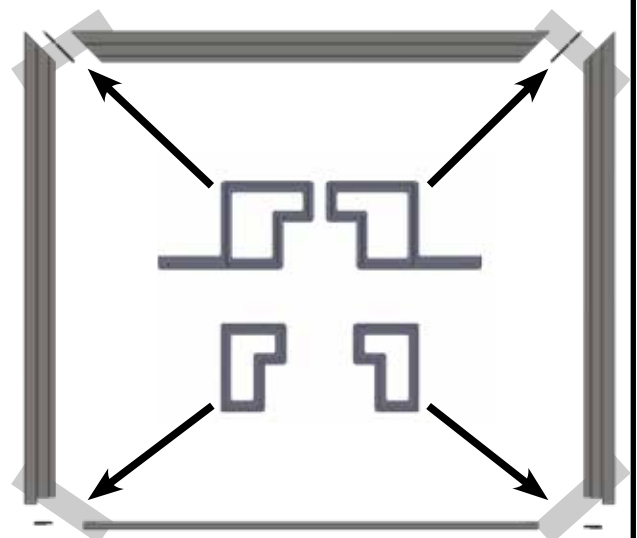
A

B

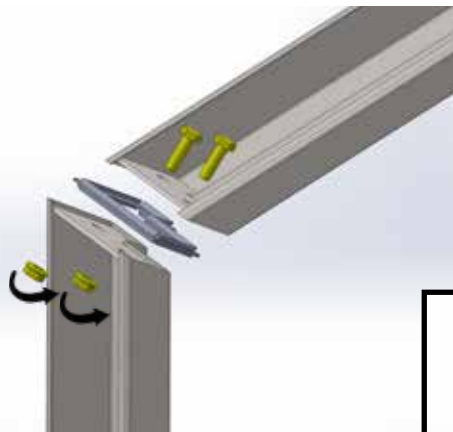
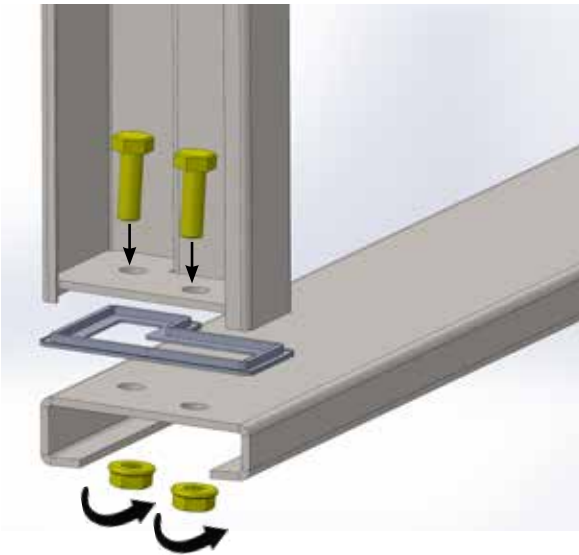
**1A**



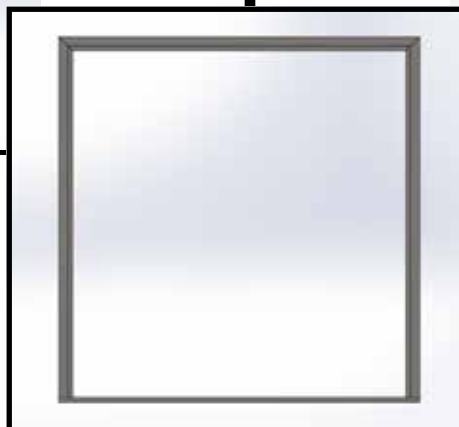
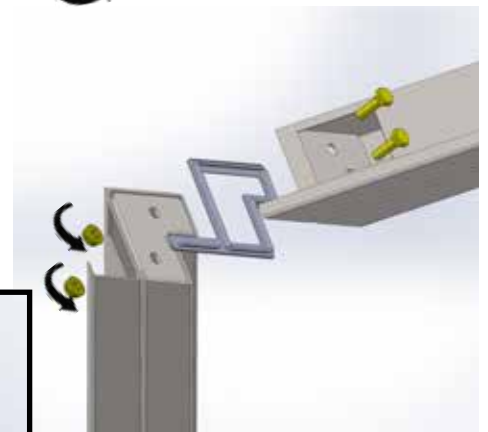
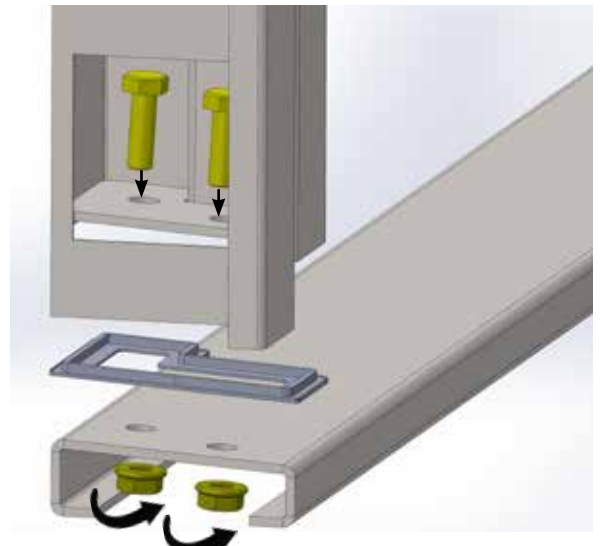
**1B**

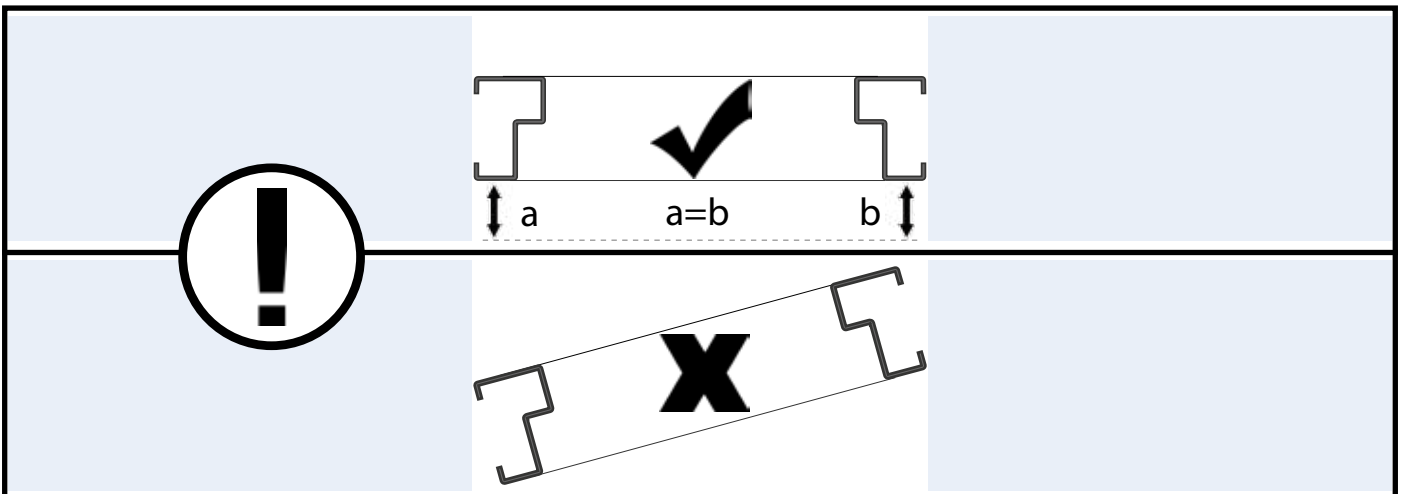
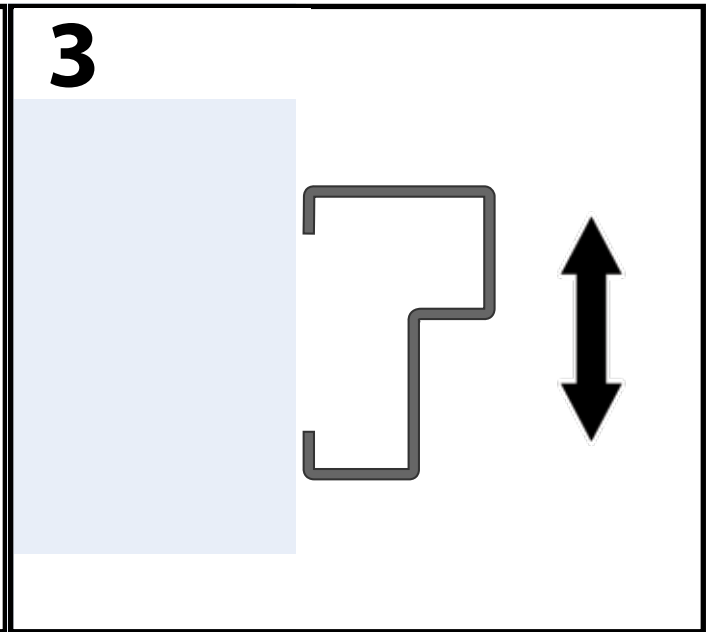
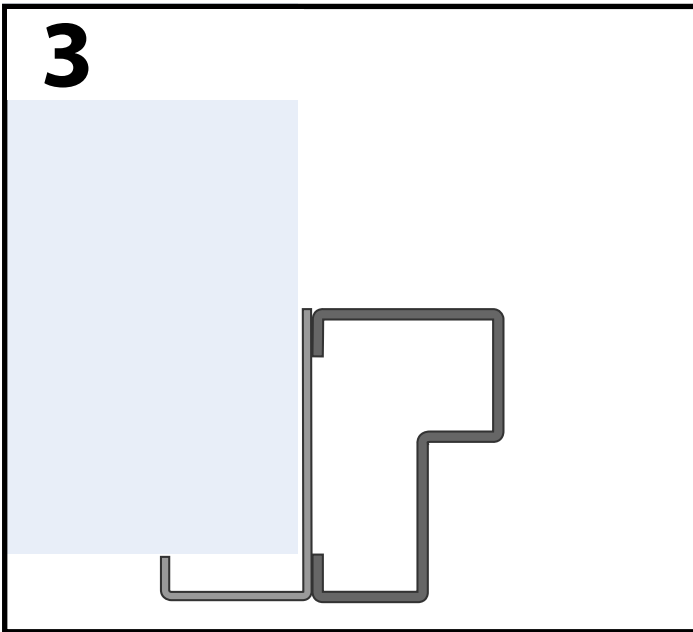
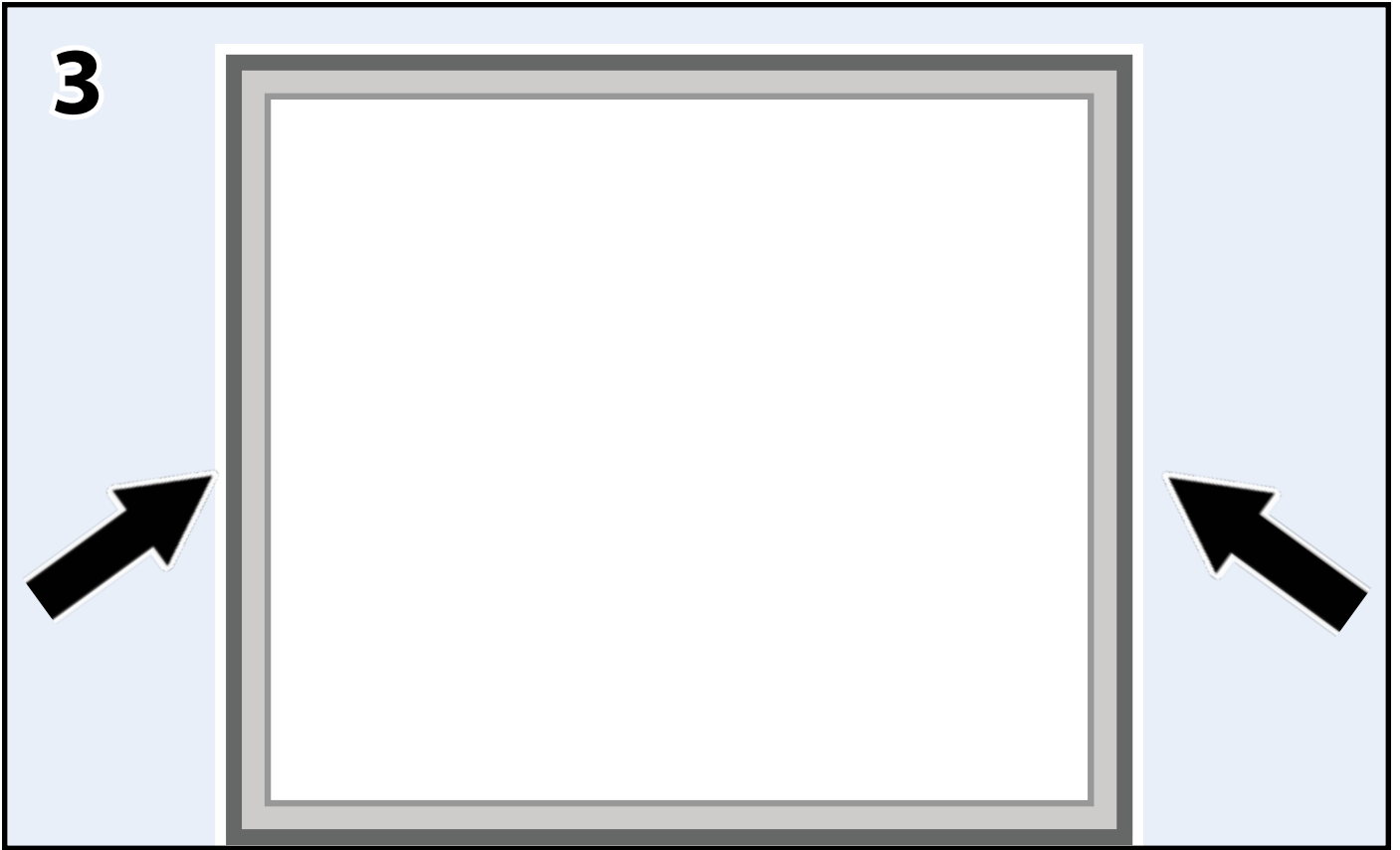


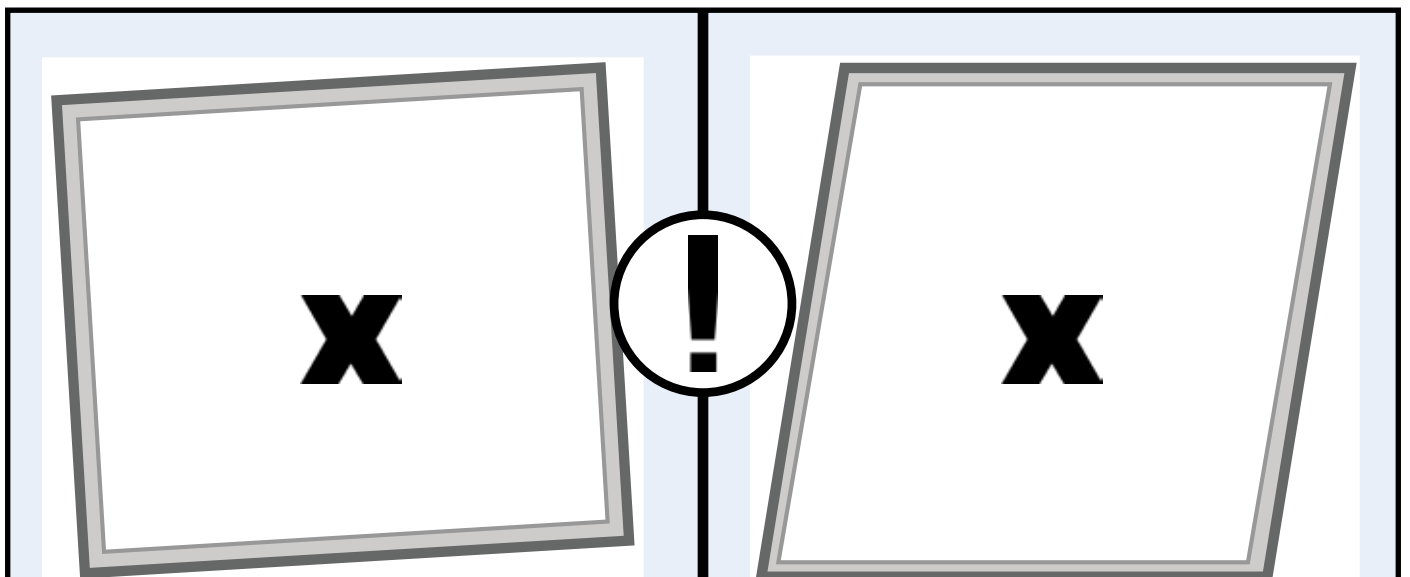
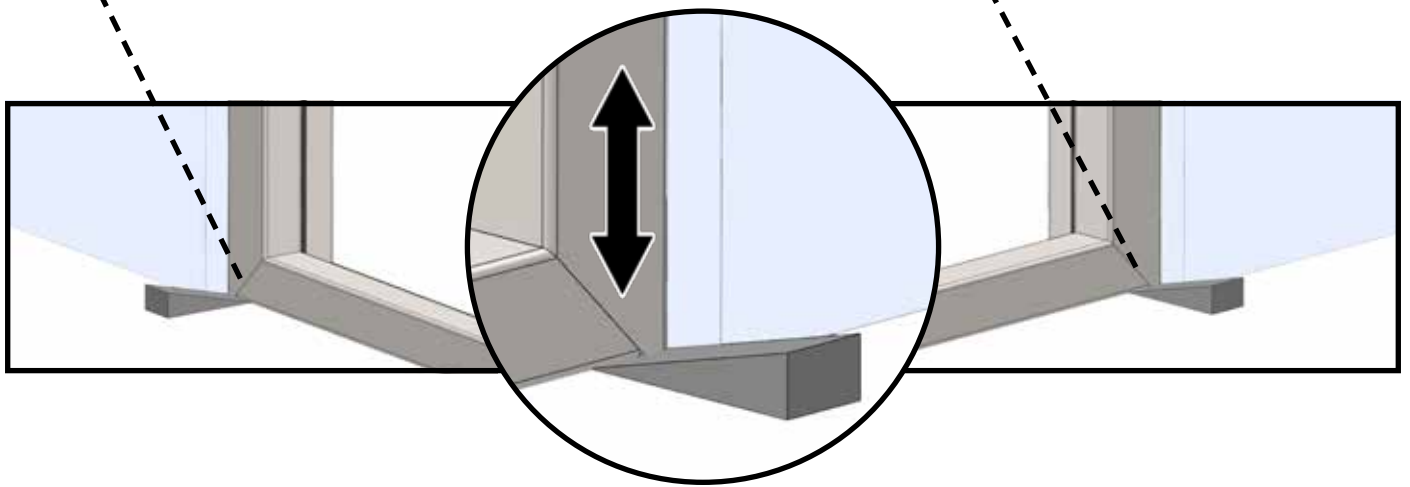
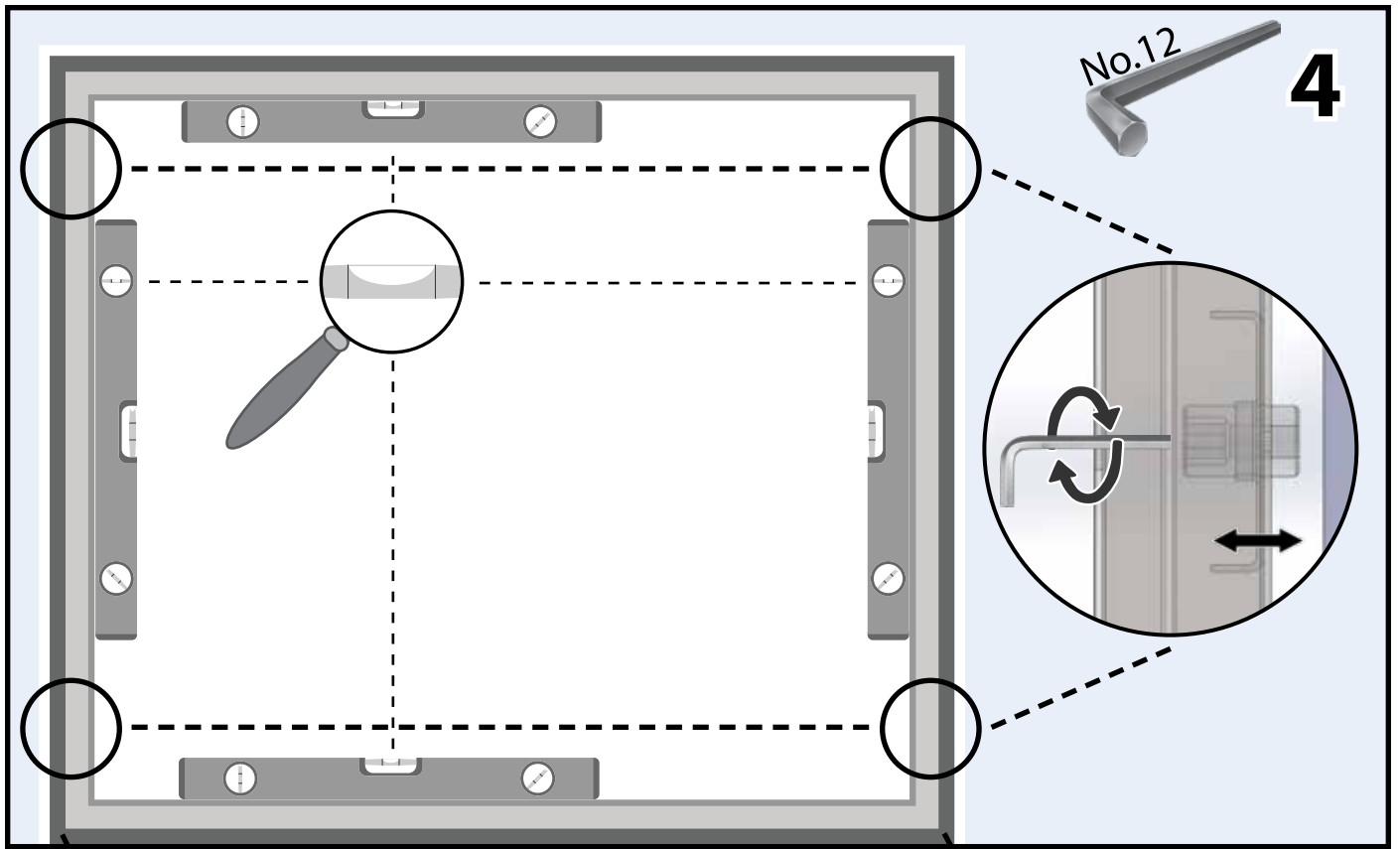
**2A**



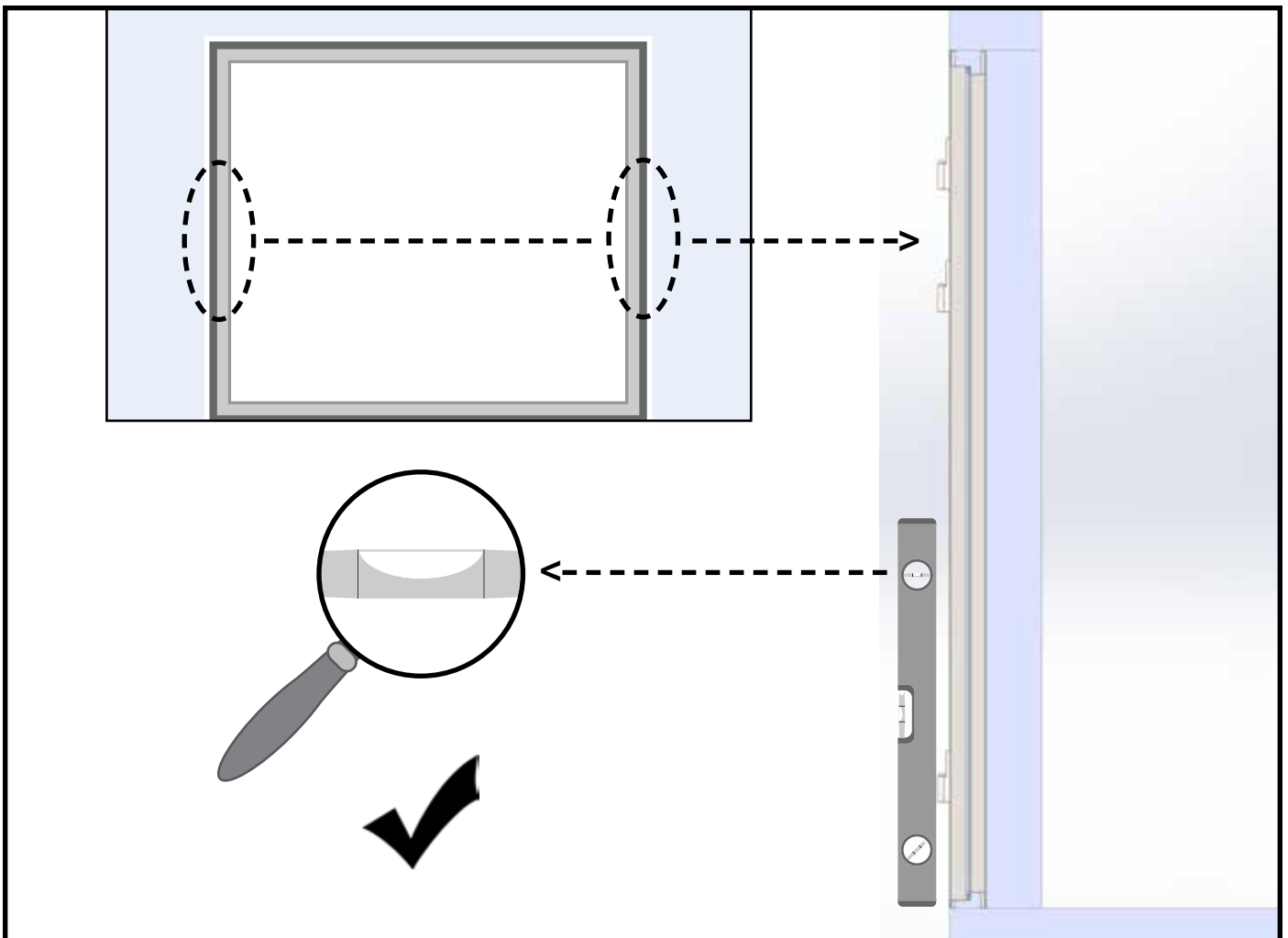
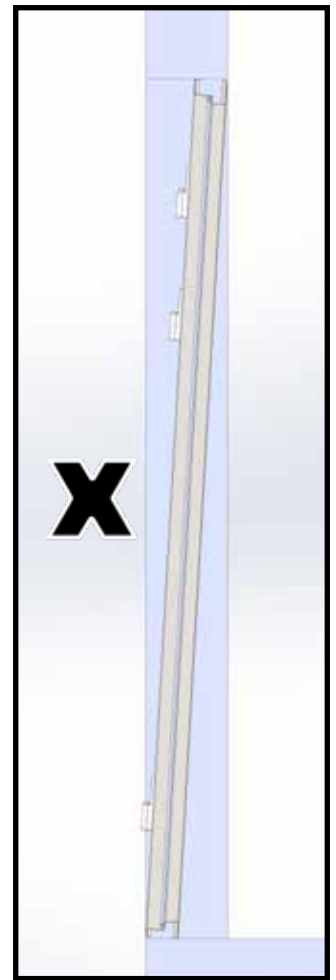
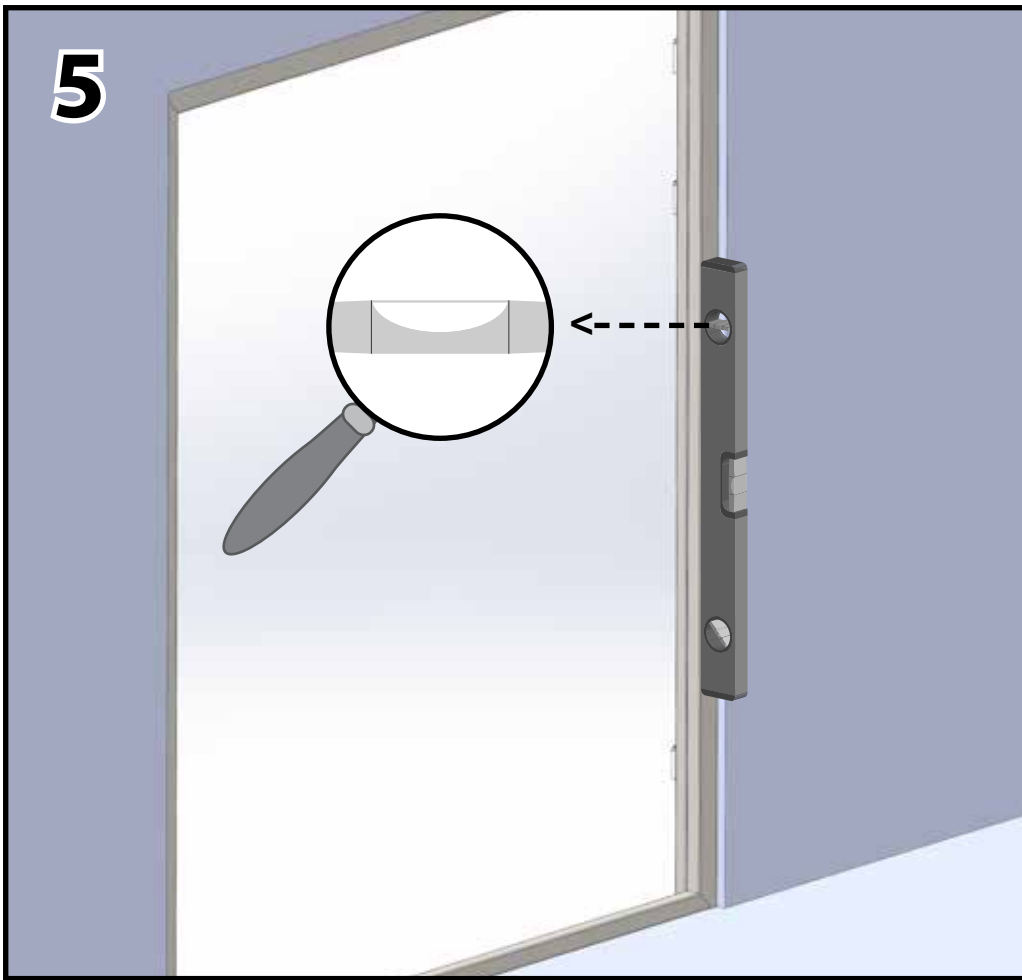
**2B**

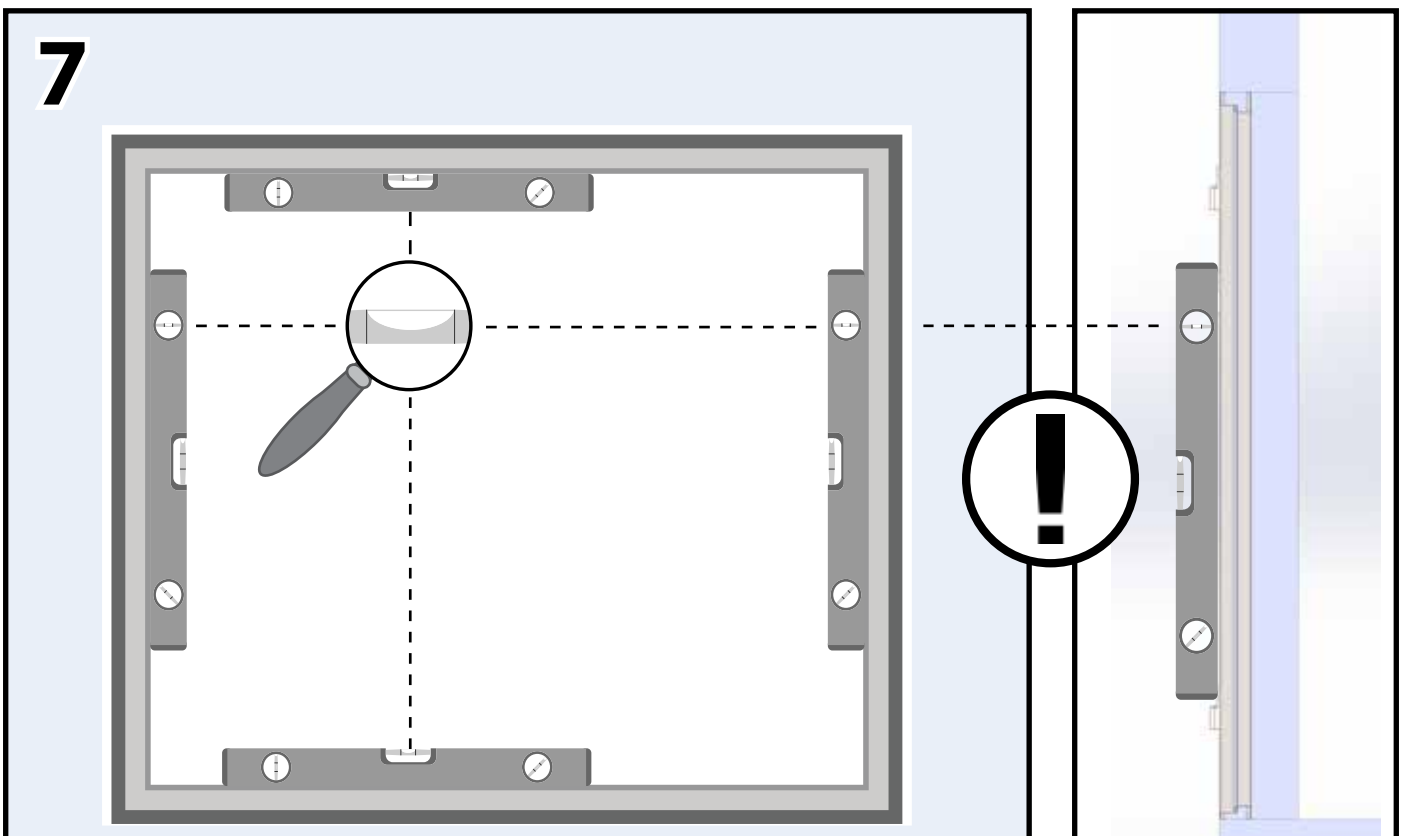
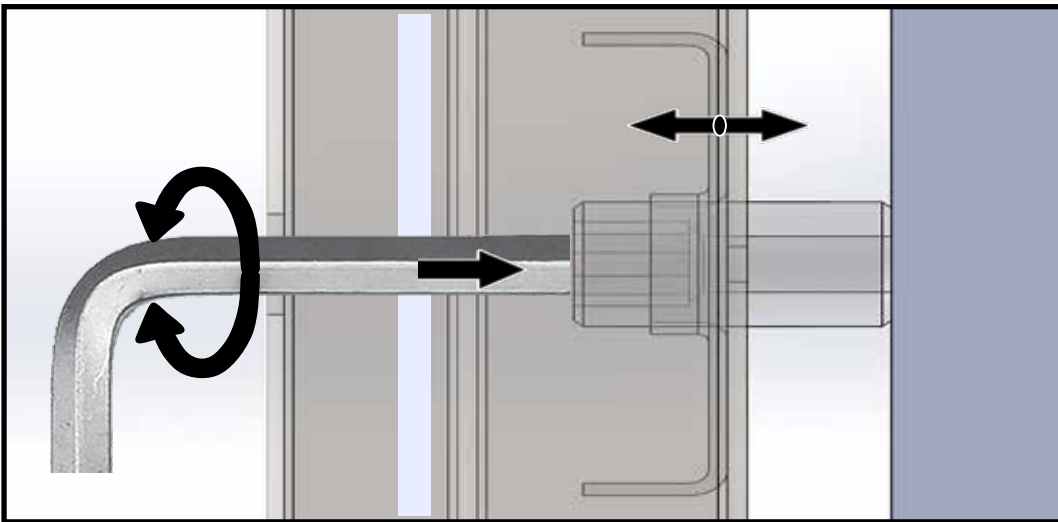
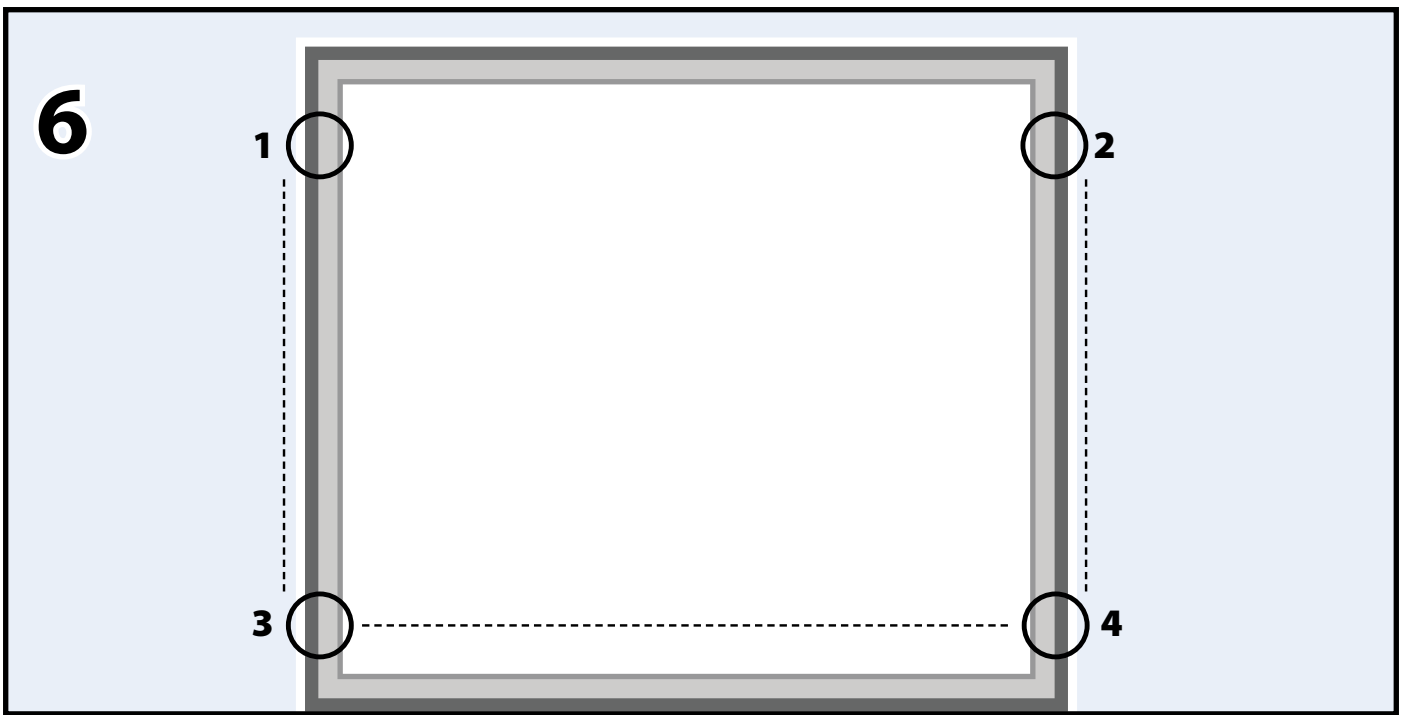




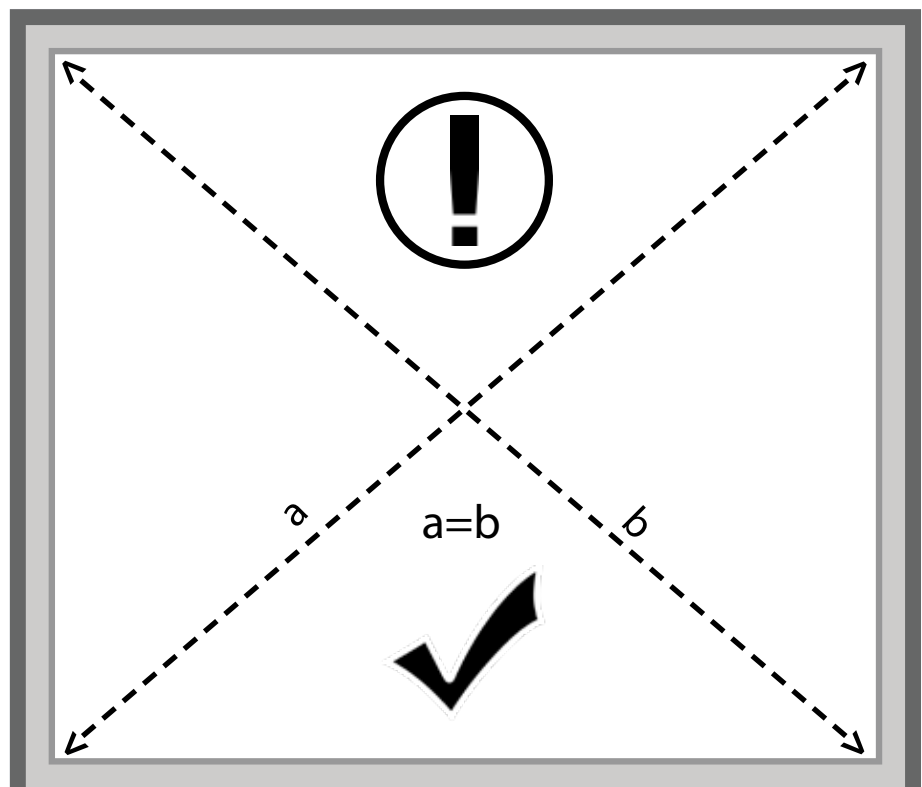




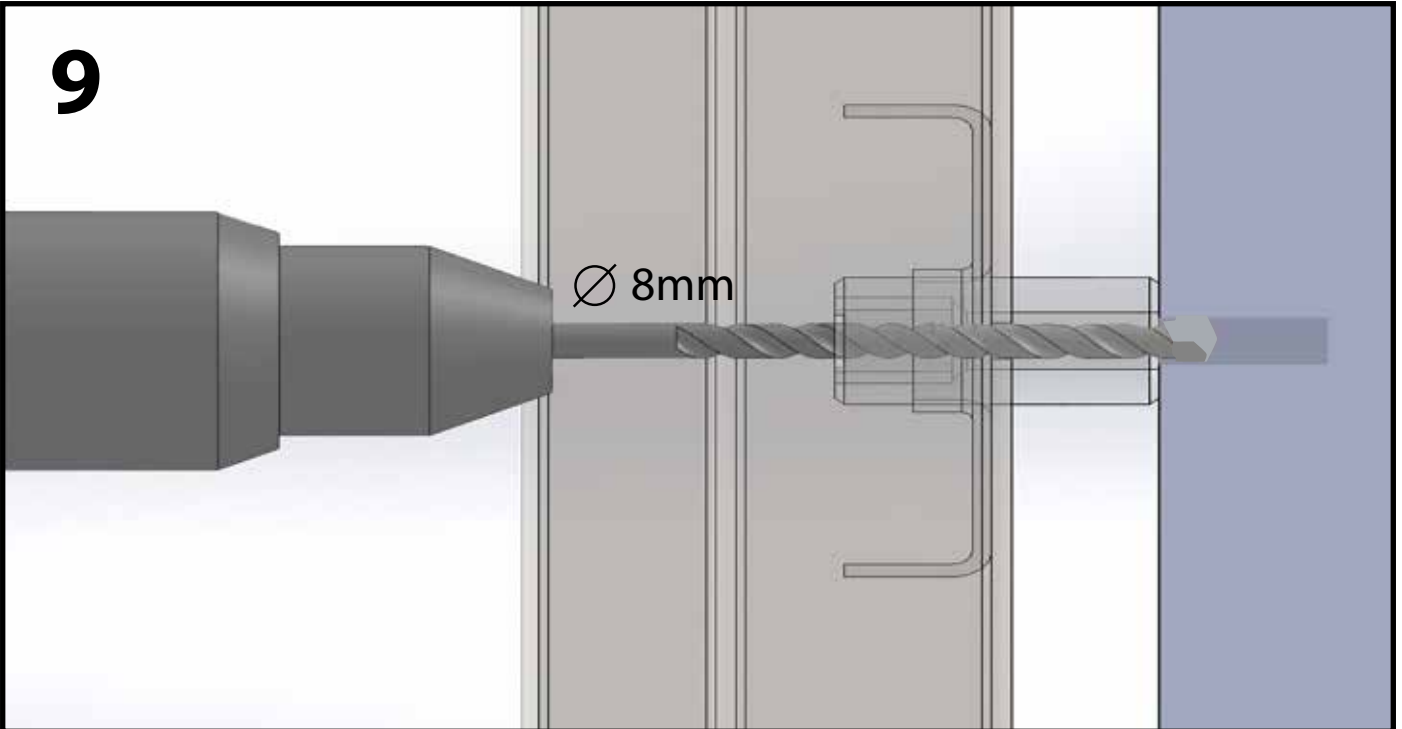




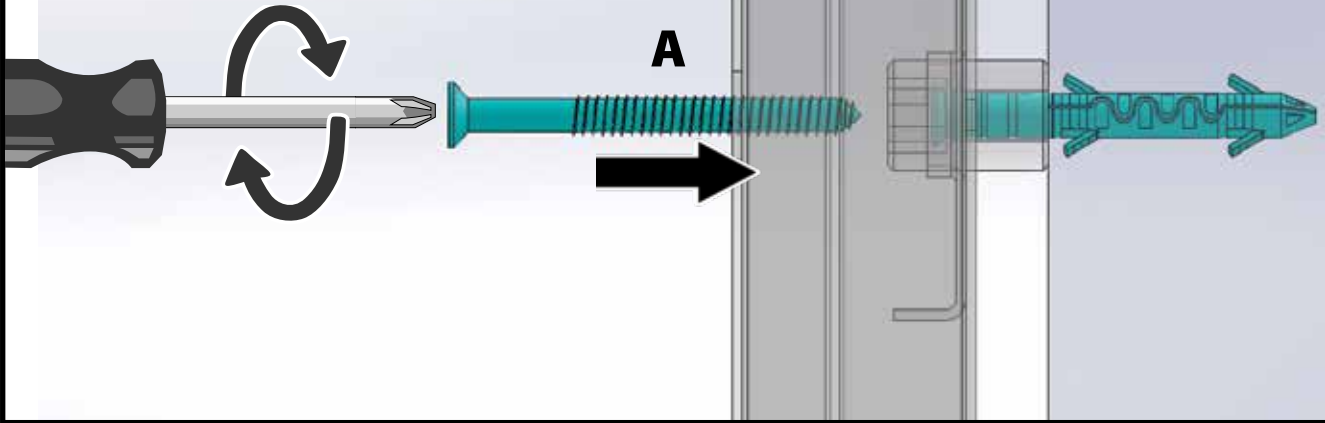
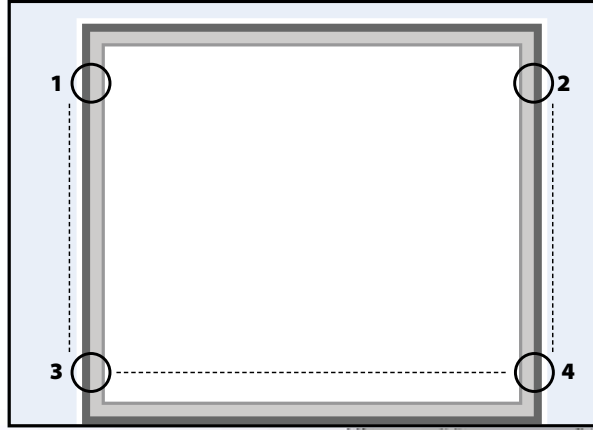
8



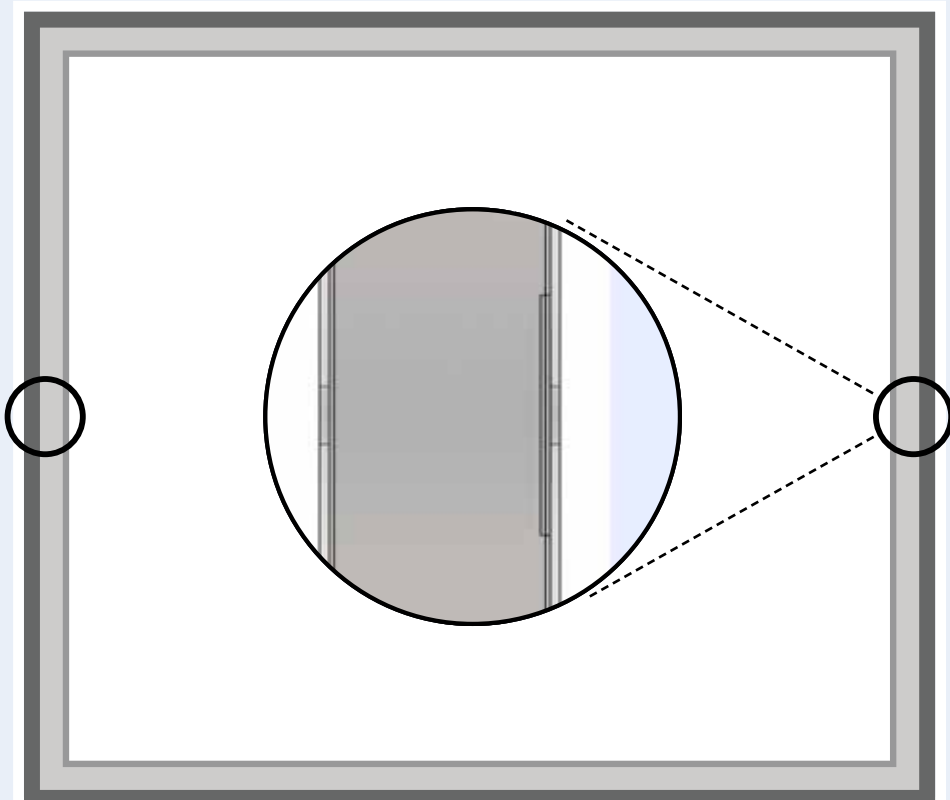
9



10

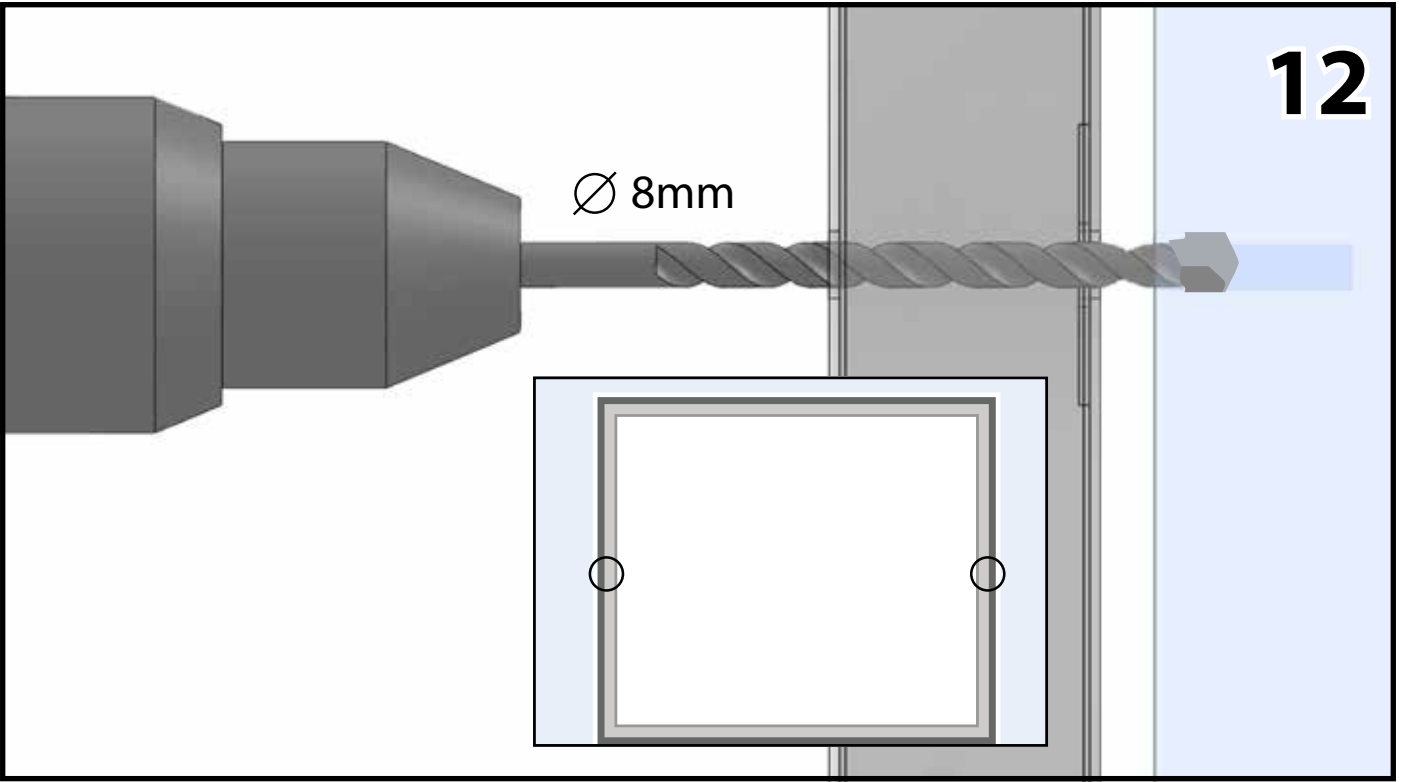


11



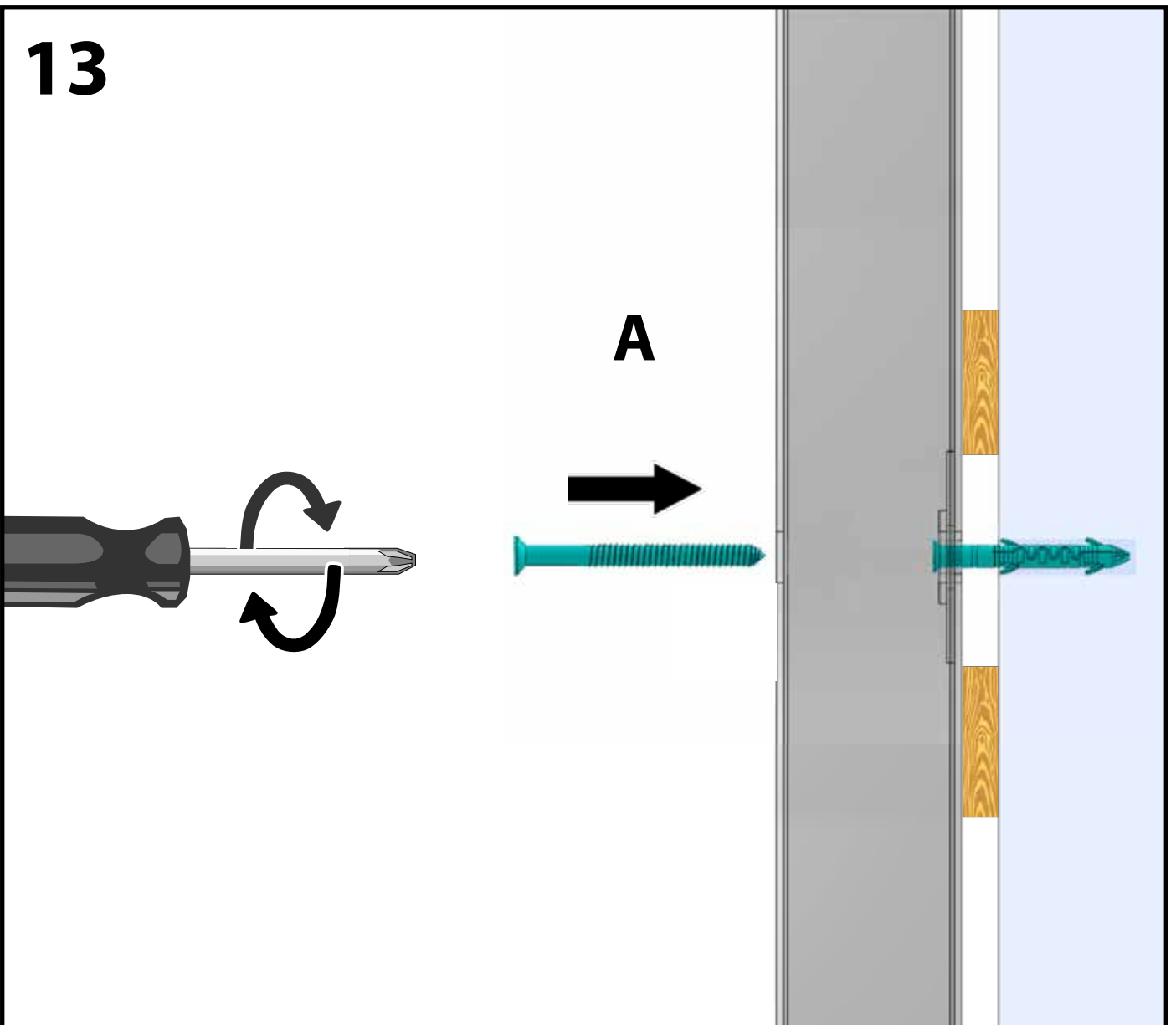
12

∅ 8mm

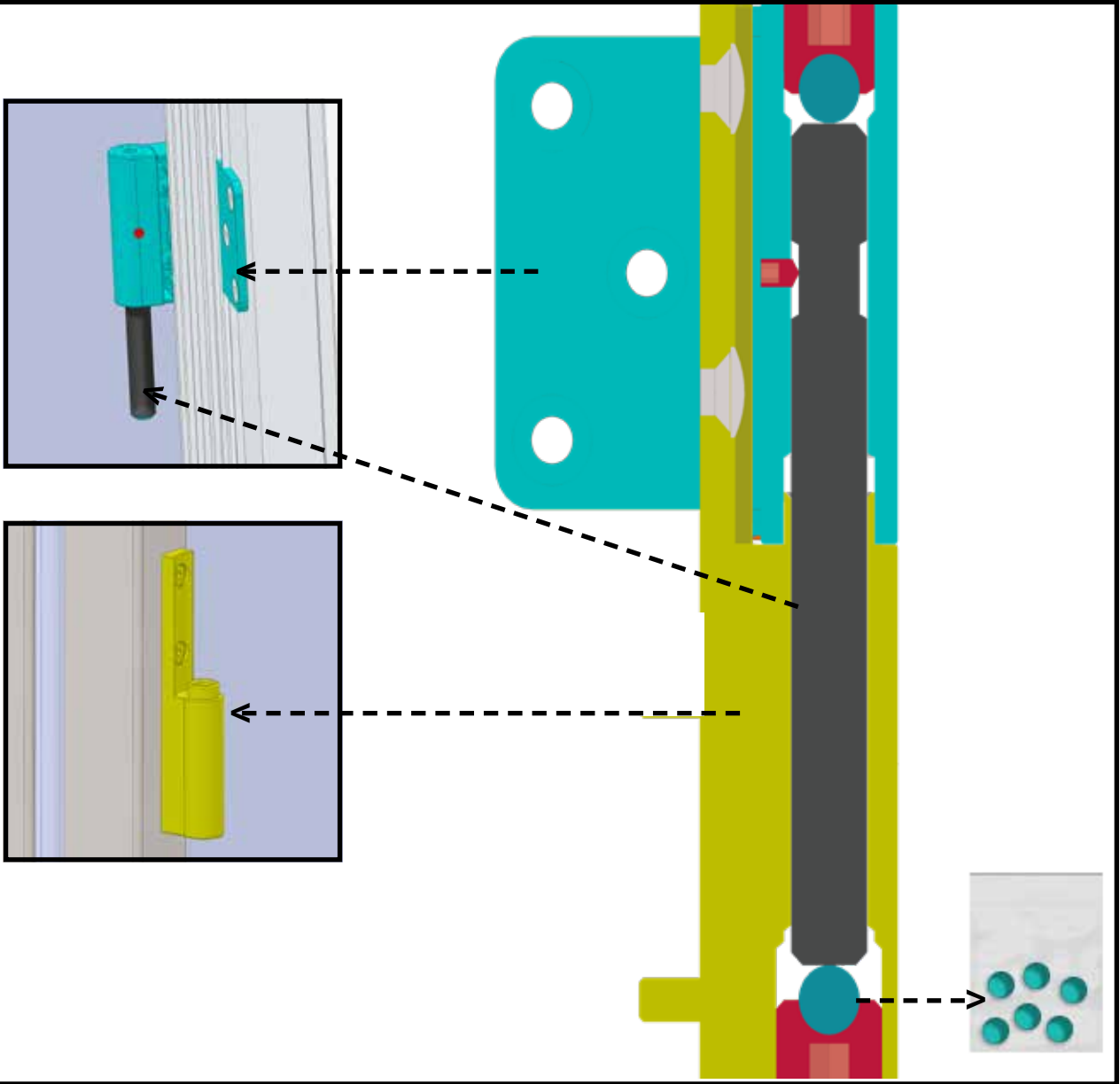


13

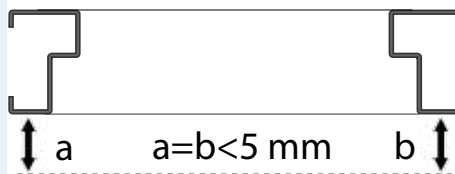
A



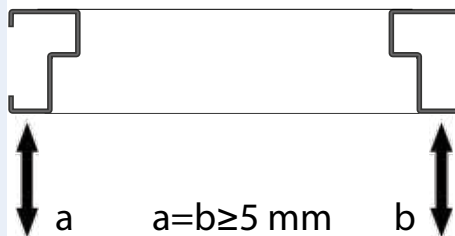
# 14



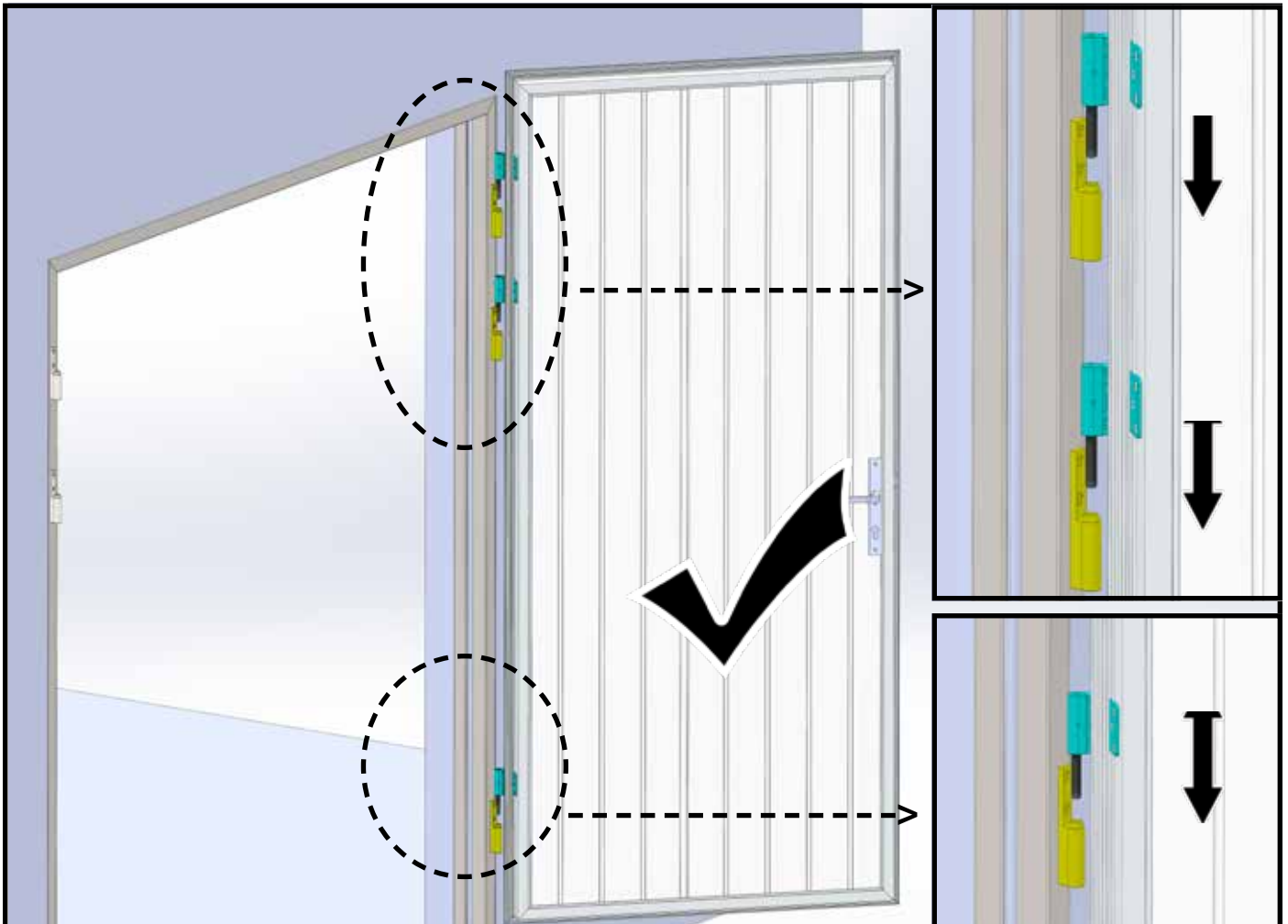
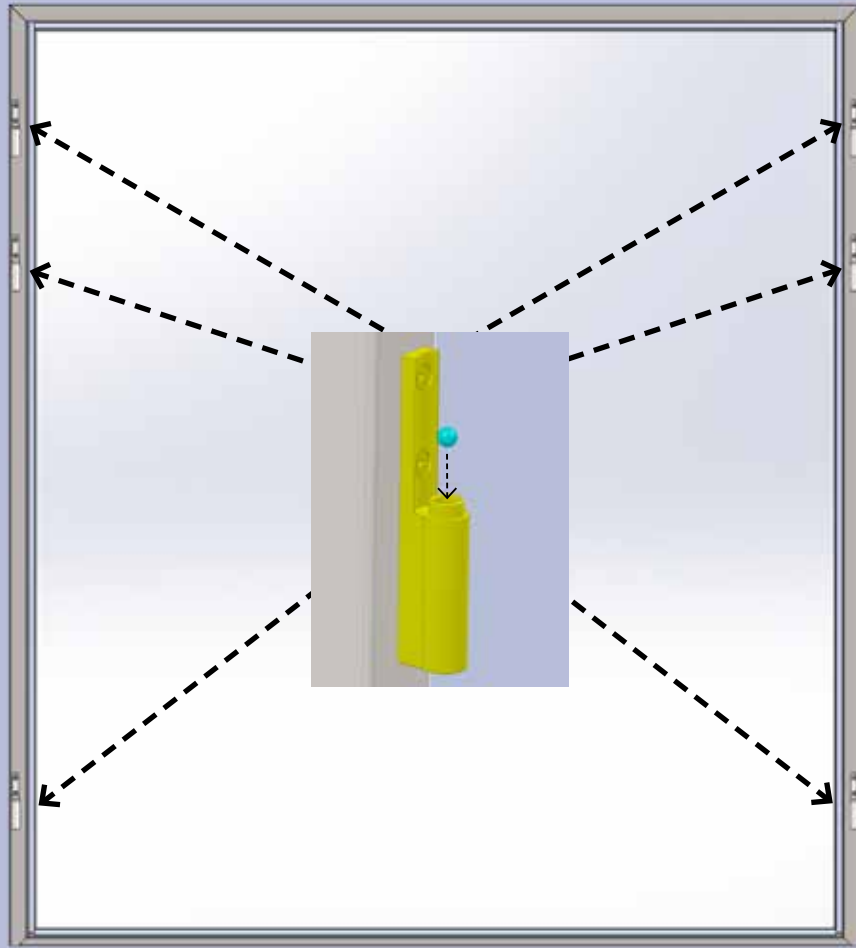
## 14a



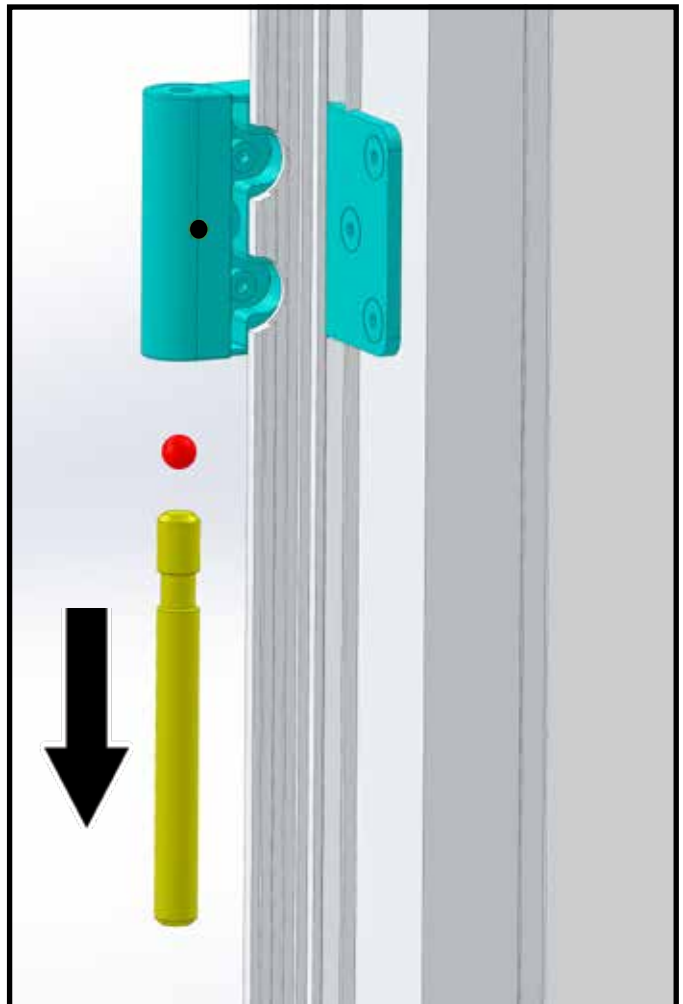
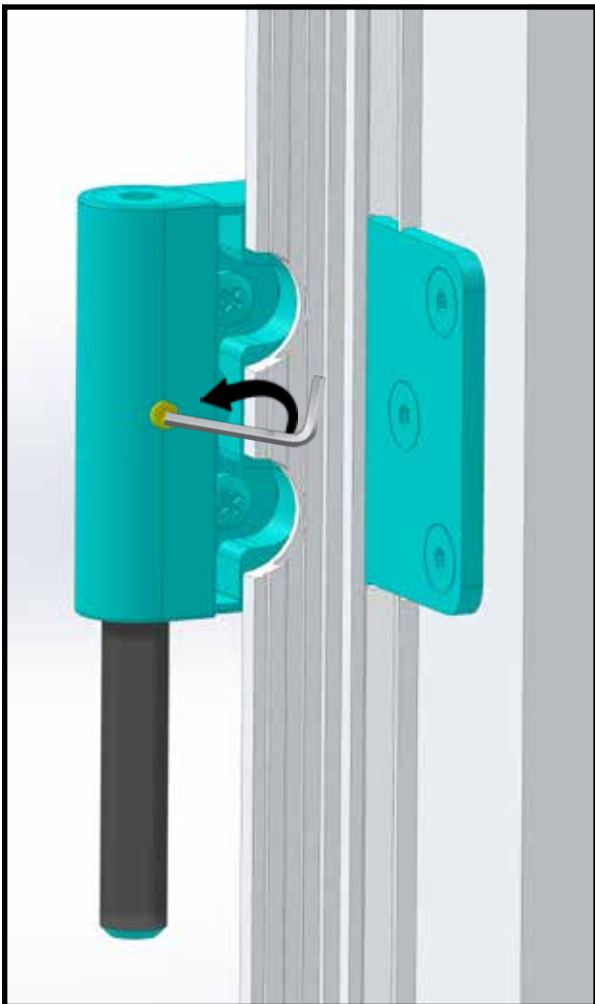
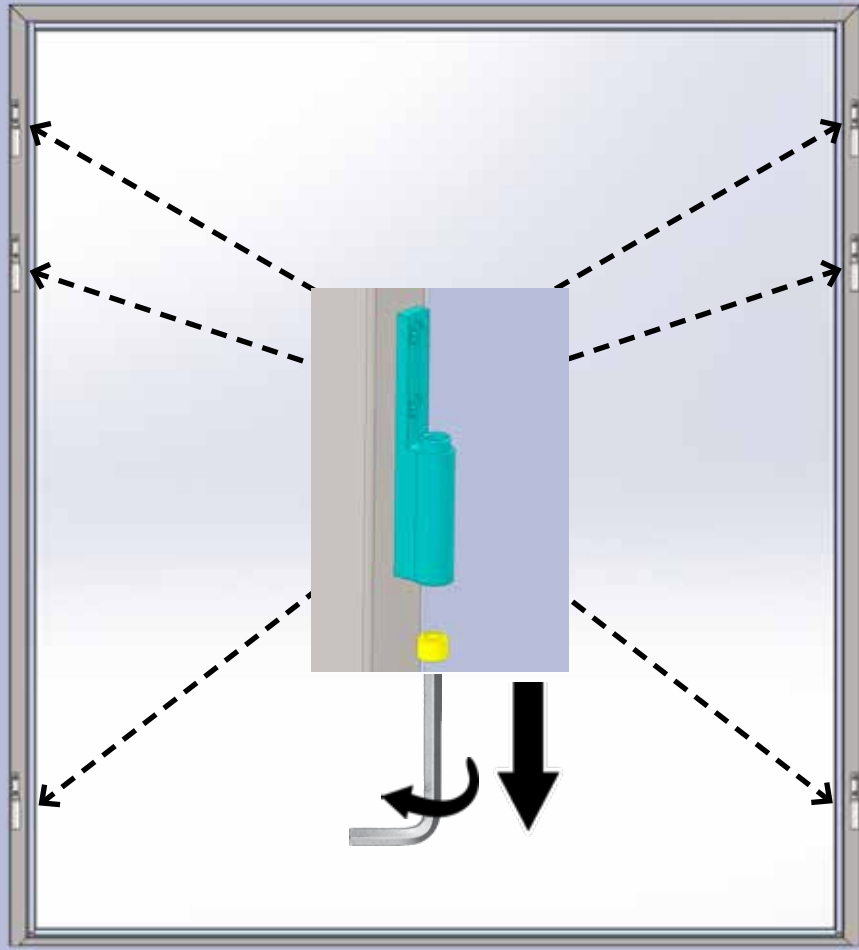
## 14b



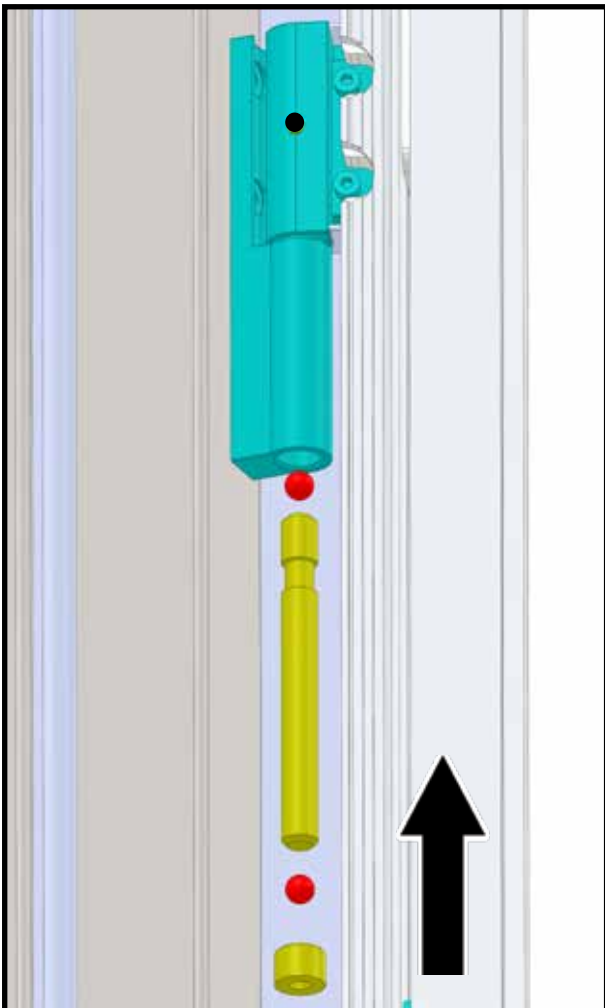
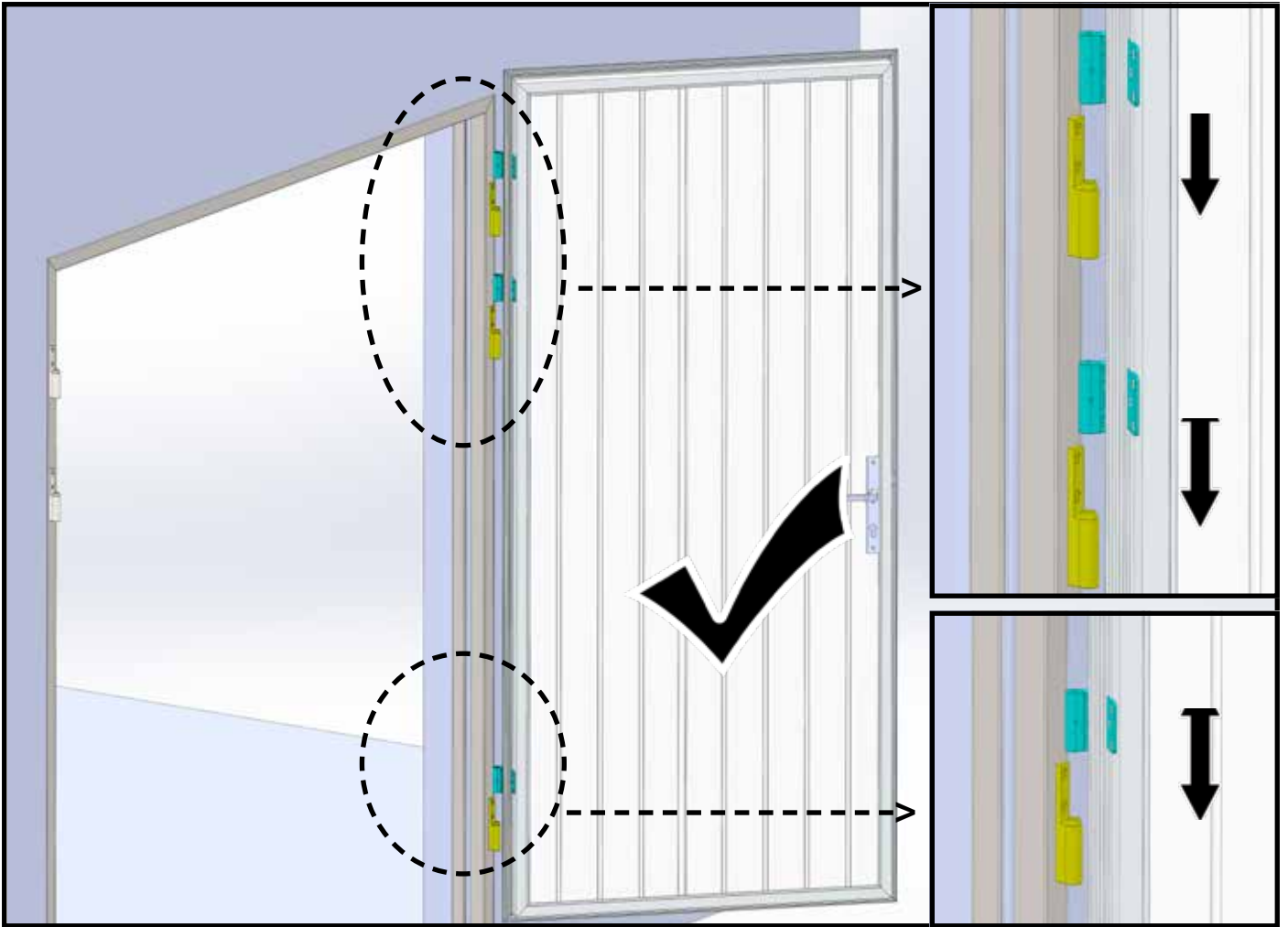
14a



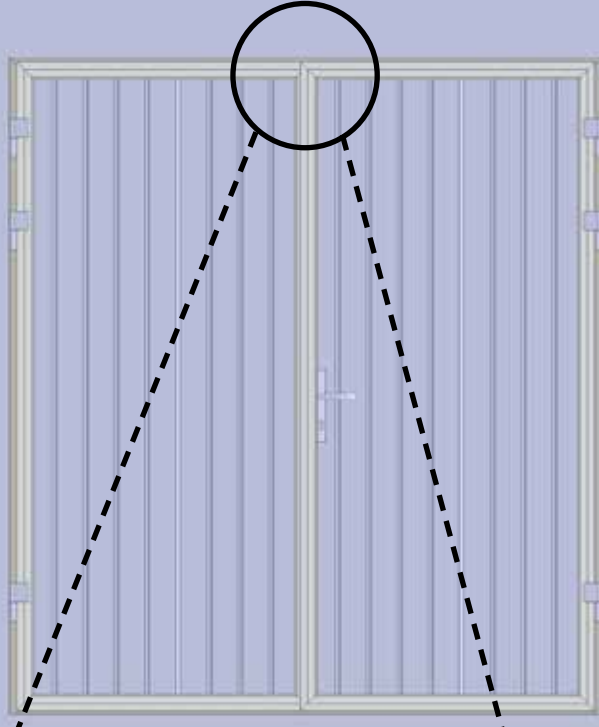
14b



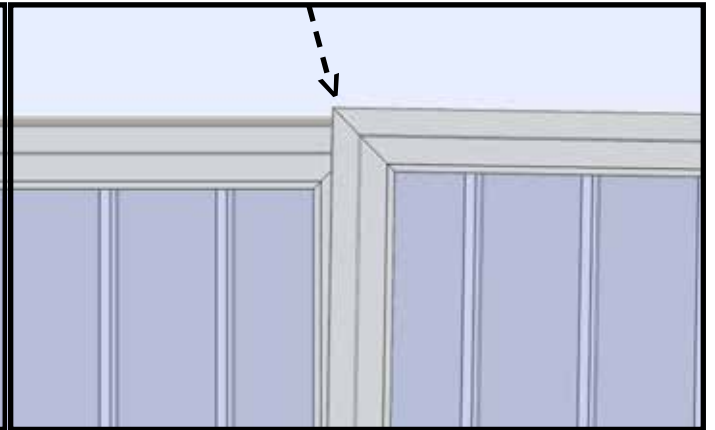
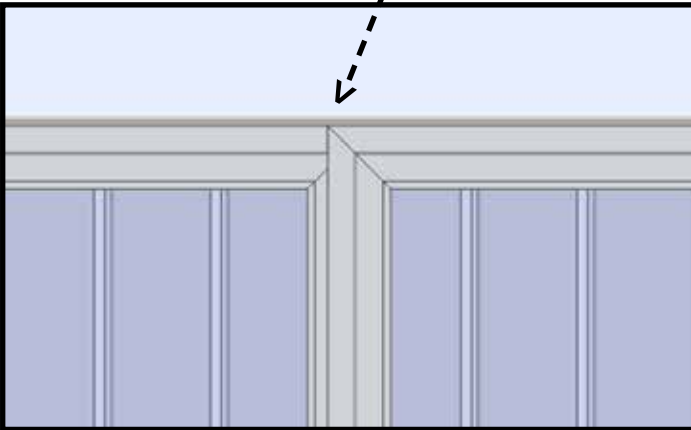




15

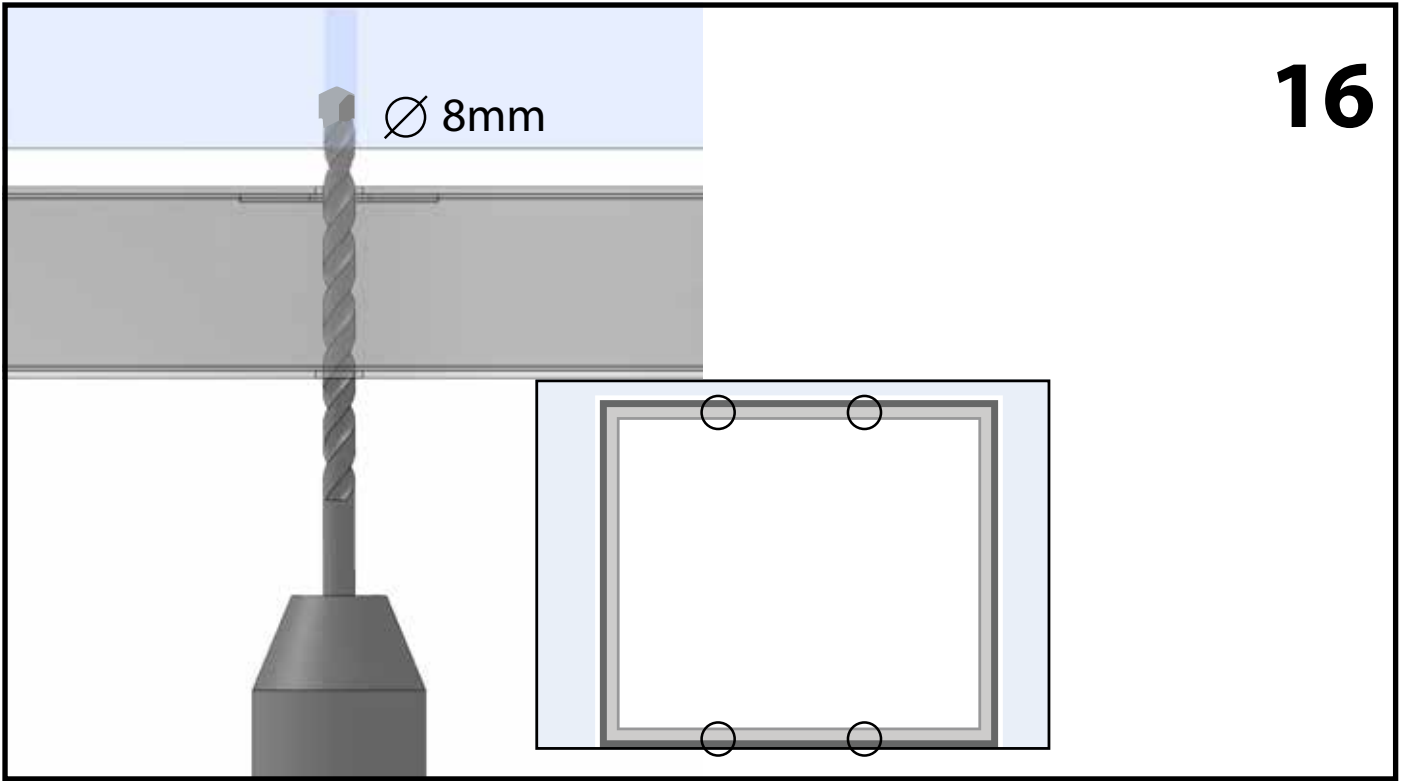


**X** → 2

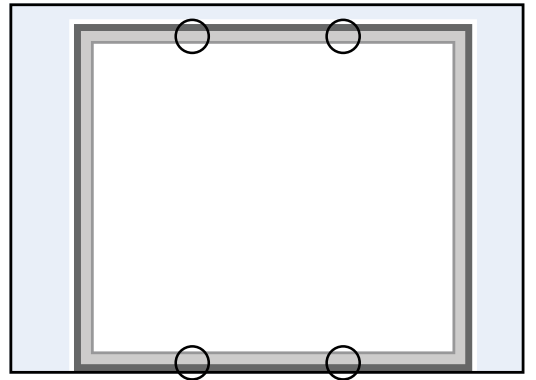
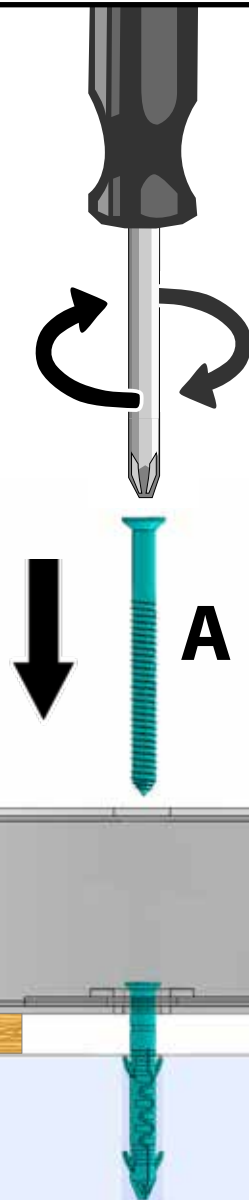


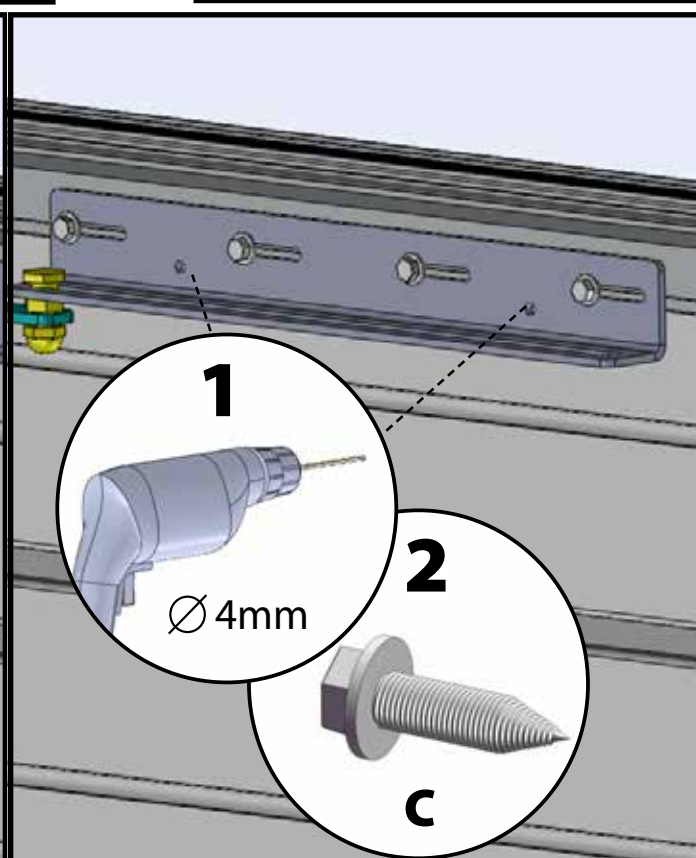
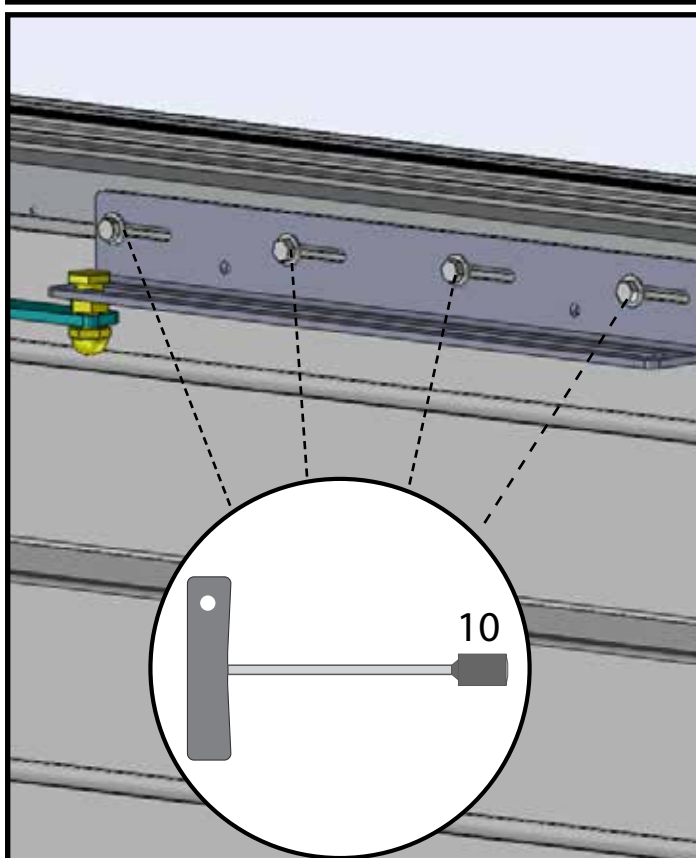
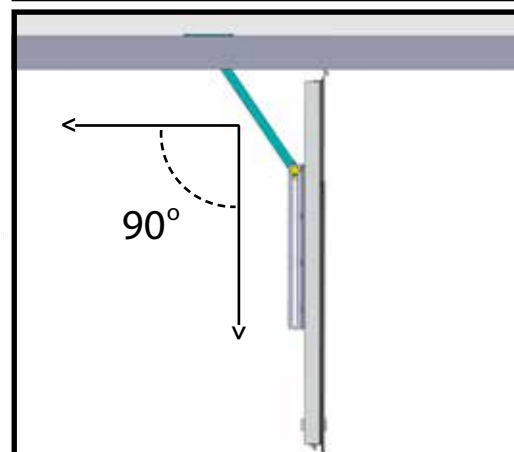
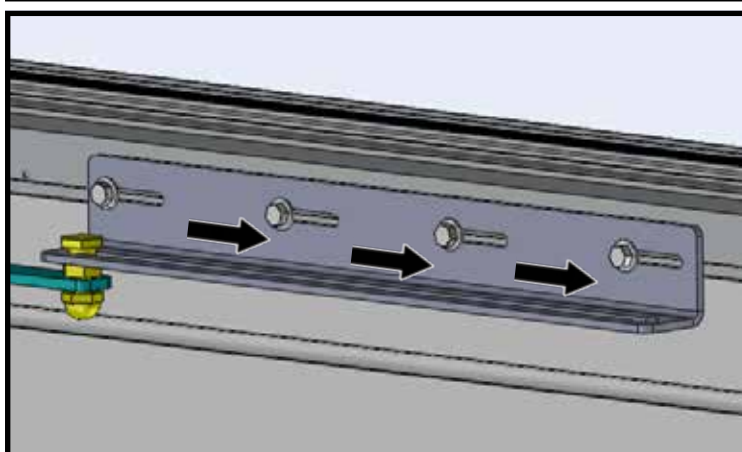
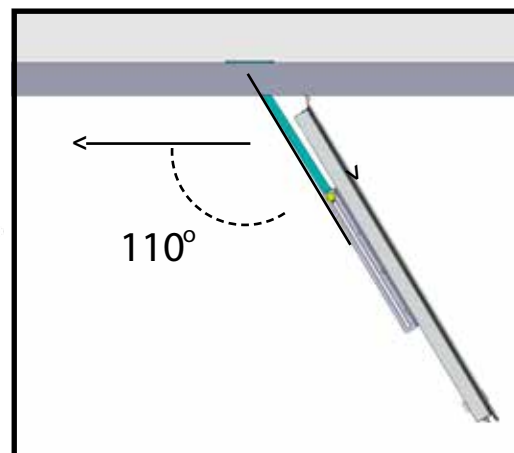
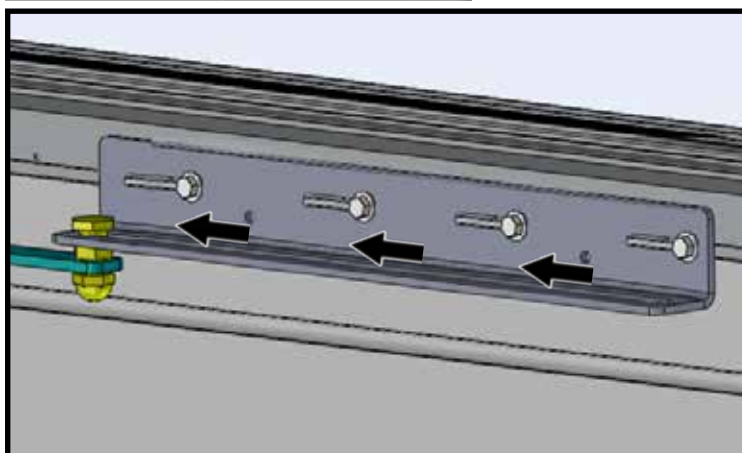
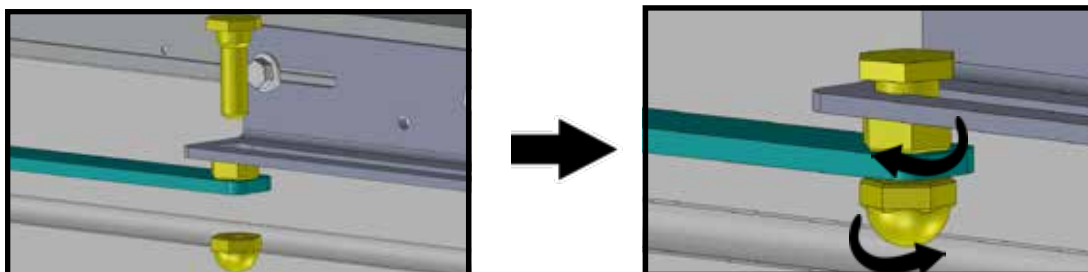
16

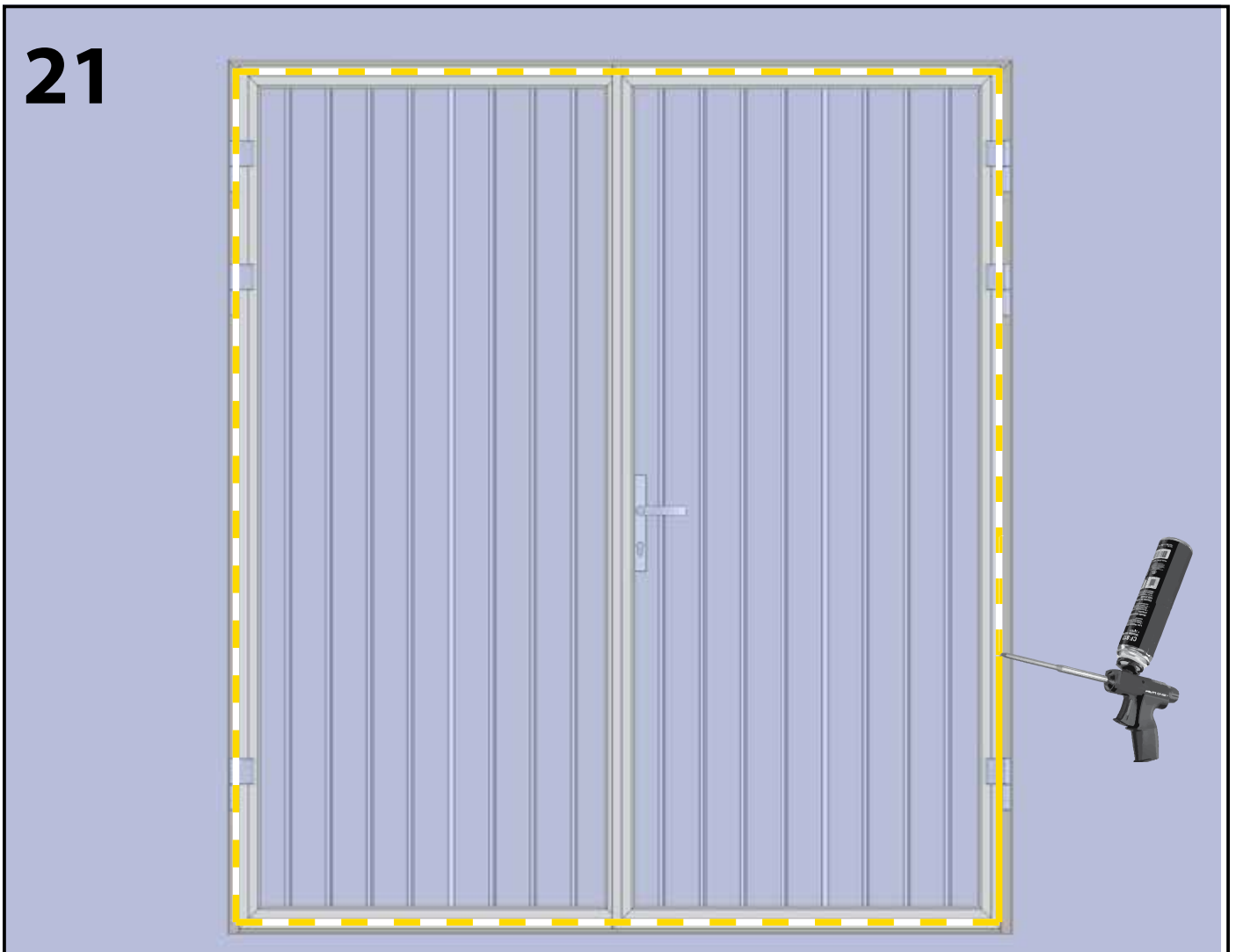
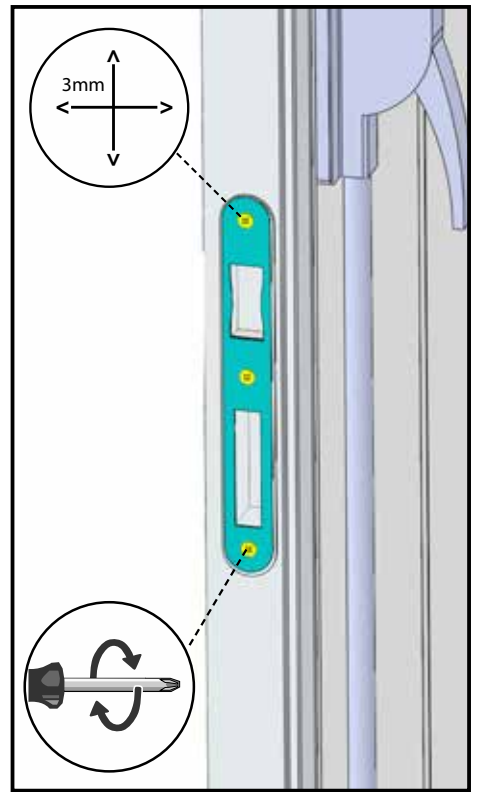
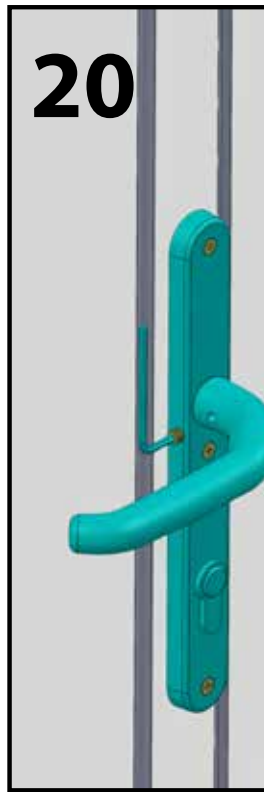
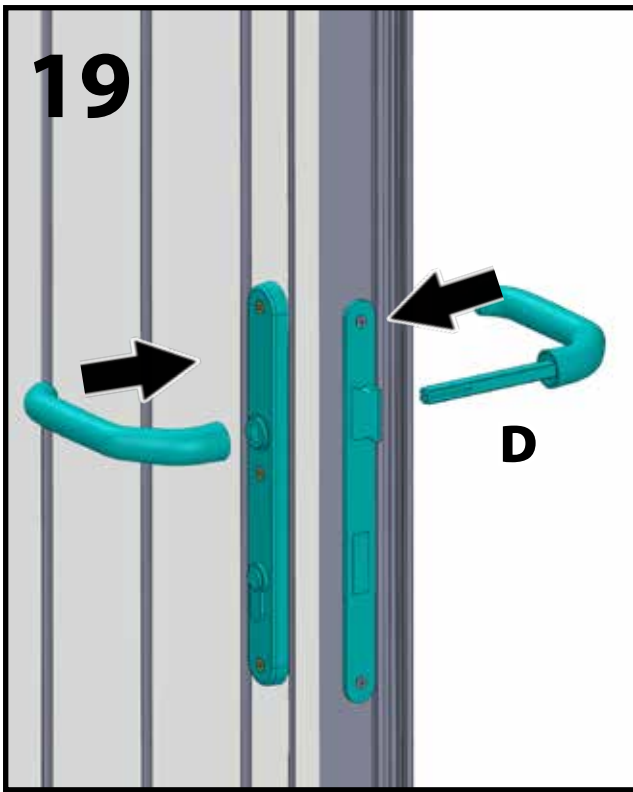
∅ 8mm



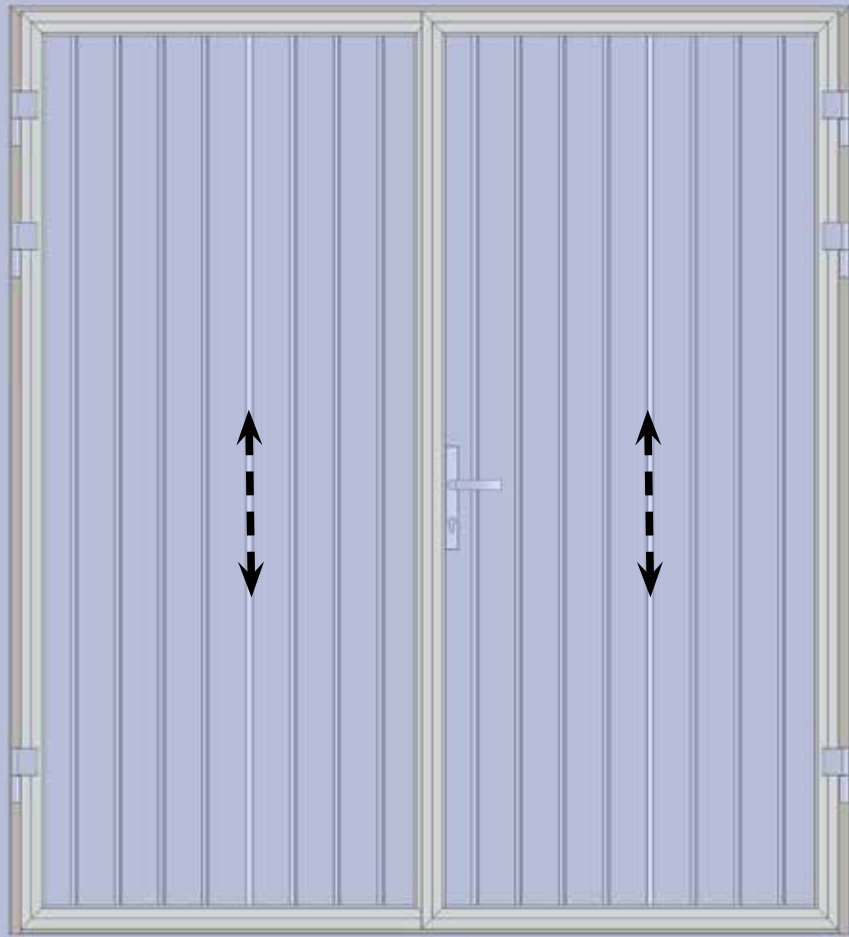
17



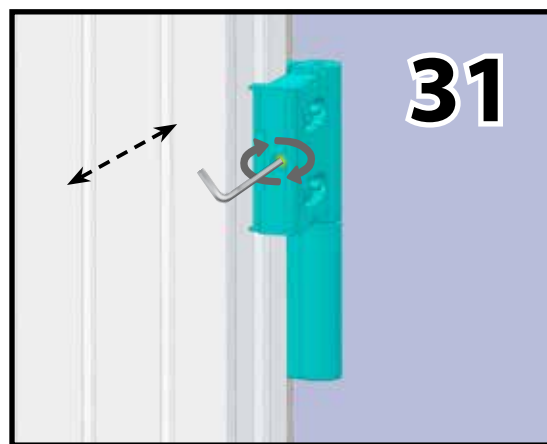
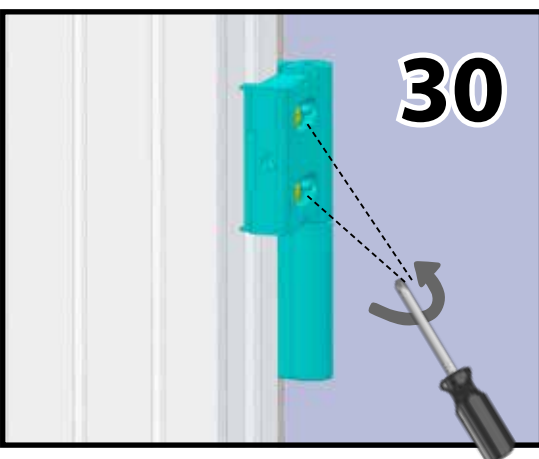
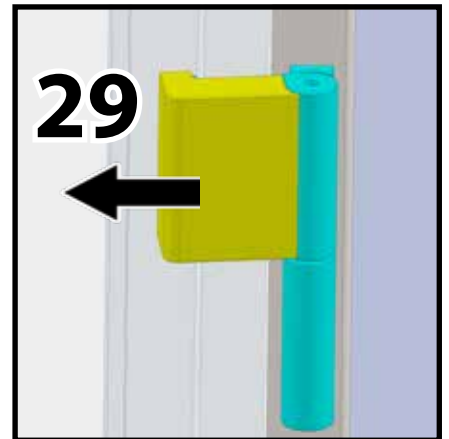
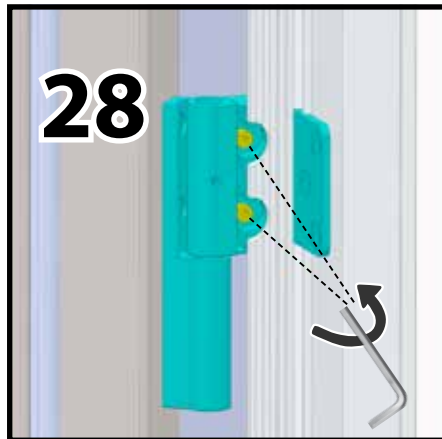
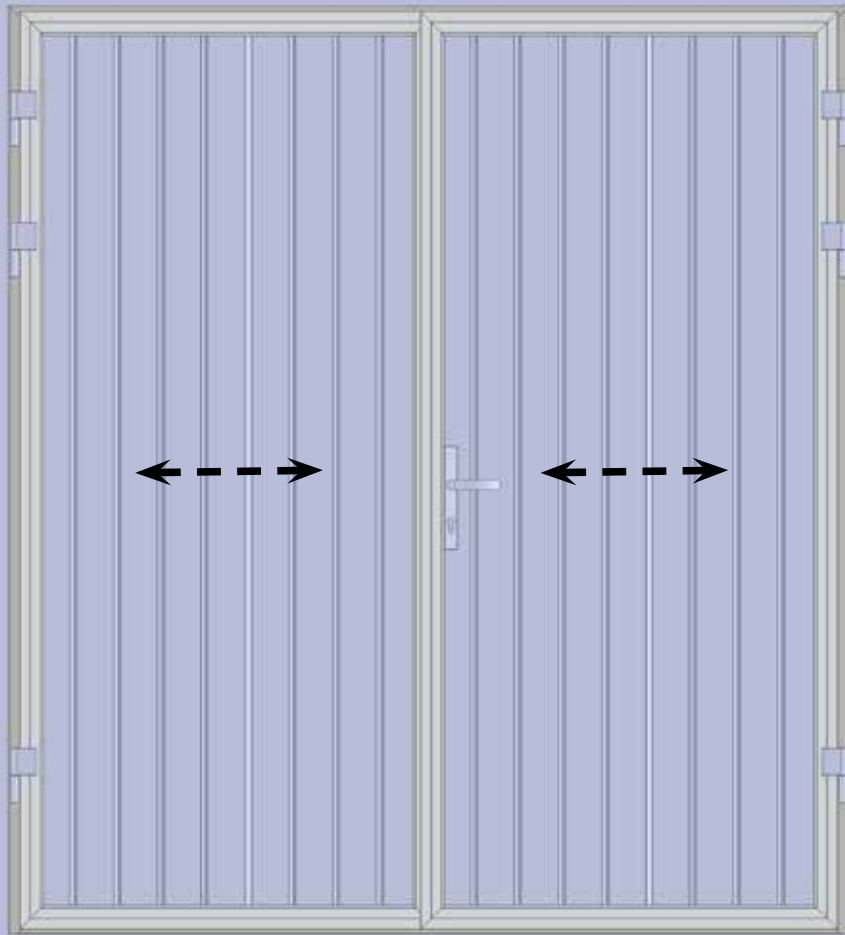




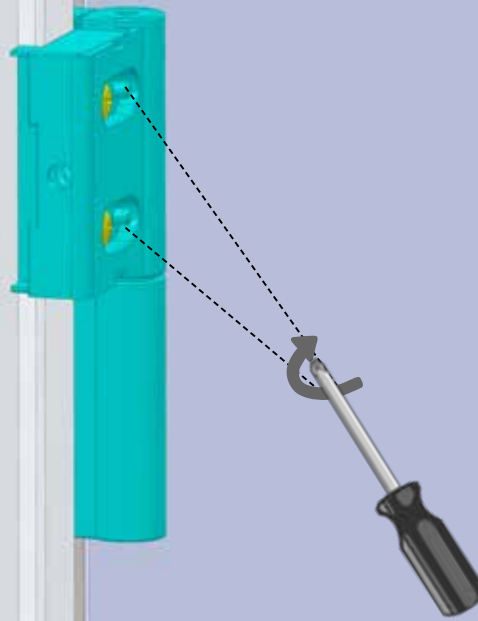
**22**



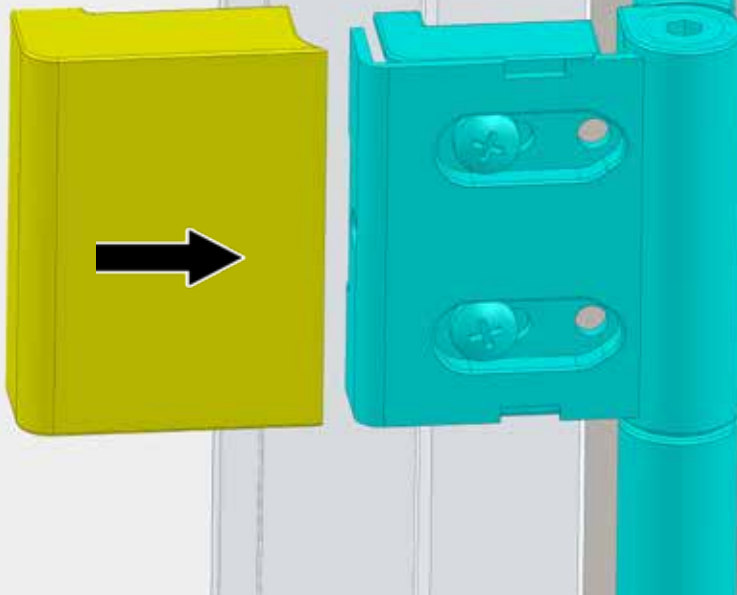
26



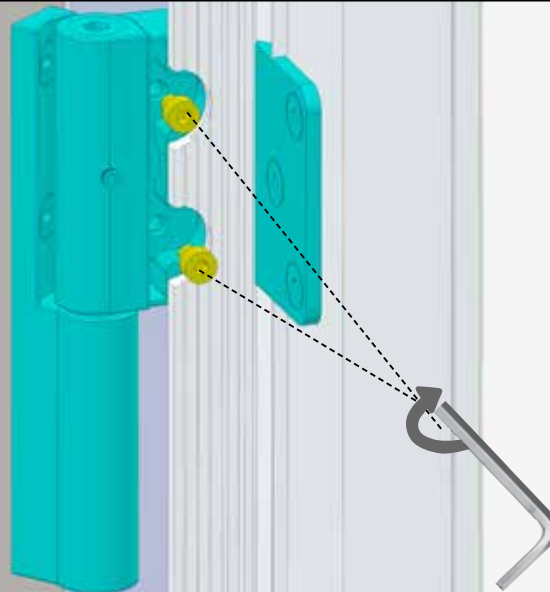
**32**



**33**



**34**





# PROOF BOOK

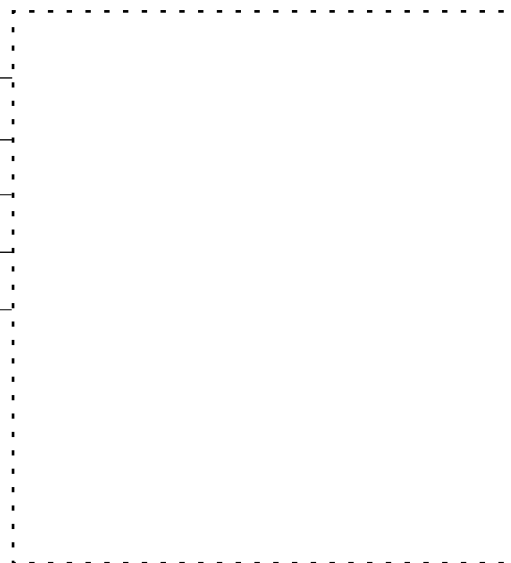
Production number:

Location:

(Address)

Installer:

(Company's & Installers' names)



## Warranty Terms:

10 year warranty period for garage door sections against rust –through or foam delamination.

5 year warranty is given for wearing parts such as springs, cables, drums, rollers, hinges on residential sectional garage doors TL,R30, R40 under normal use of max 5 open-close cycles per day.

5 year warranty on springs, cables, drums, rollers, hinges on industrial sectional doors TLP under normal use up to 10 open-close cycles per day.

Nonstandard color painted doors and doors type Okoume, Retro, Alumax and other special design doors, the 2 year warranty period is applied.

Visual inspection of door panels should be done at distance not less than 3m from the door.

When replacing individual door panels the new panel can be in different colour shade due to aging and fading effect on old panels.

2 year warranty for wearing parts of SH1, SH2 and SSD type doors.

Warranty is applicable only in the country where the door was purchased through the authorized distribution channels. To enable warranty claim to be proceeded, undersigned warranty card (in user manual) and original invoice with date of purchase should be provided.

## The warranty does not cover:

- Mechanical damages due to improper transportation or portage.
- Mechanical damages due to improper installation, maintenance and operation.
- Normal wear and tear.
- Deflection of door sections because of heat absorption – Bi-metal effect (Dark color doors should be avoided to be exposed to direct sunlight).
- Color shade changes caused by natural environment influence.
- Humidity condensation.
- Damages caused due to improper storage of the product (in humid environment, outdoor, and (or) longer than 3 months)
- Damages caused by absence of regular maintenance (proof-book registered)
- Damages due to use of non-origin parts.
- Damages caused due to external influences such as salt, fire, water, acids, alkali, abnormal environmental influences (e.g. salty water coastal regions)
- Warranty claim can be enabled only in presence of production number on the product.



# SERVICE LIST

<b>Date:</b>	<b>Description of work</b> (Installation, start-up, adjustments, check on safety devices, repairs, alterations)

Technician's signature

Customer's signature

<b>Date:</b>	<b>Description of work</b> (Installation, start-up, adjustments, check on safety devices, repairs, alterations)

Technician's signature

Customer's signature

<b>Date:</b>	<b>Description of work</b> (Installation, start-up, adjustments, check on safety devices, repairs, alterations)

Technician's signature

Customer's signature



