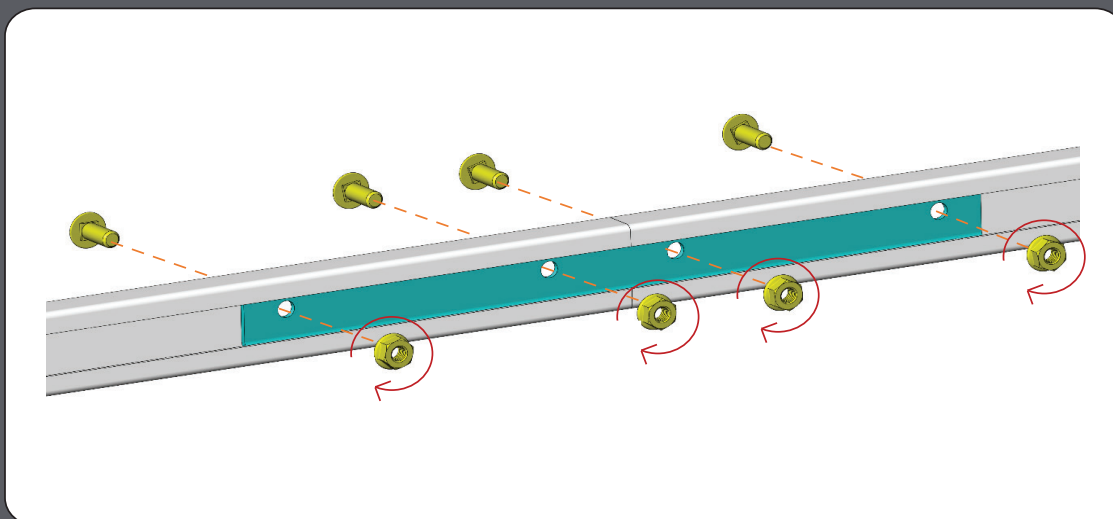
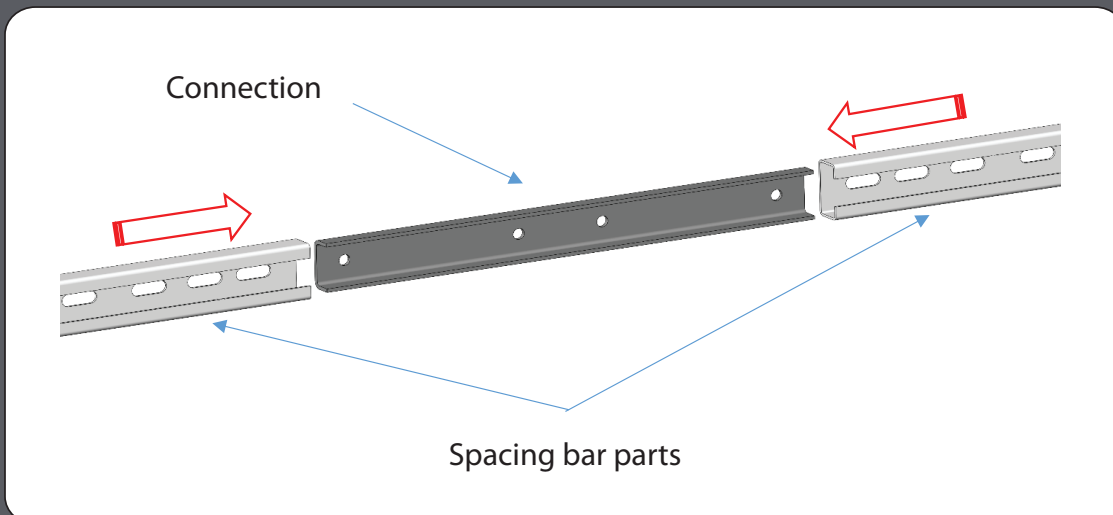


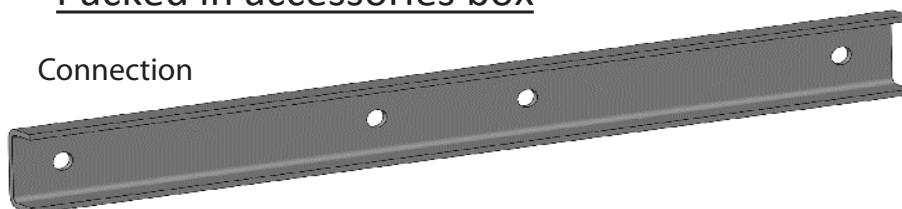
# Spacing bar made of two parts for wide doors

- Long spacing-bars will be made of two parts and packed together with horizontal tracks.
- Handy transportation and handling.
- Easy to assemble.



## Packed in accessories box

Connection



Nut M8



Self locking bolt  
M8 - 20 mm

